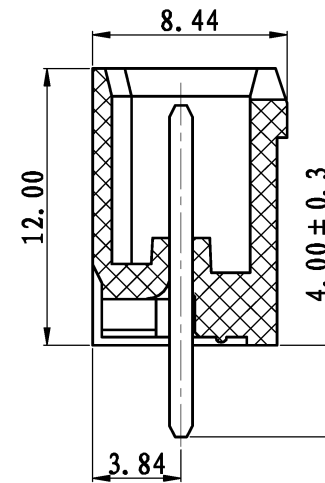
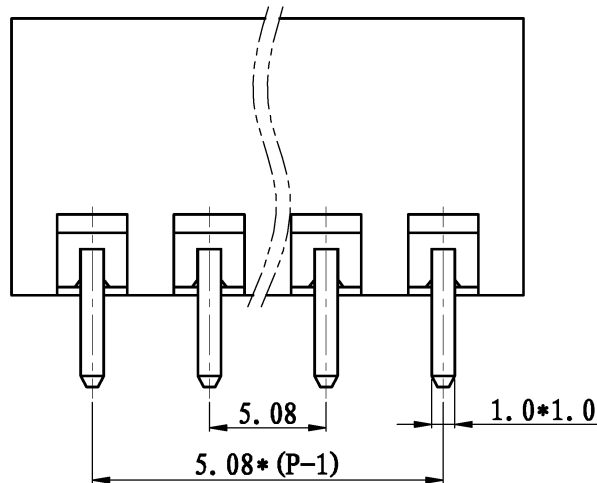
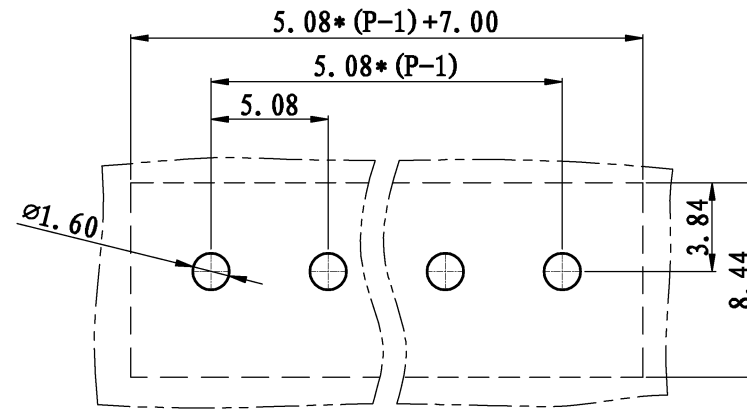
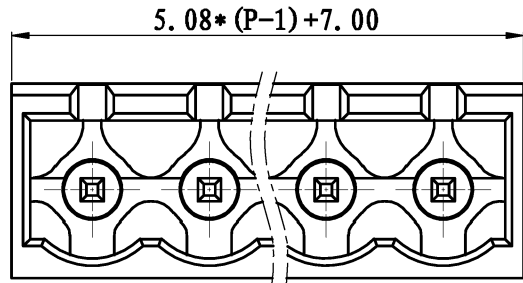


REVISION RECORD			
REV.	CONTENT	MOD.	DATE
△	初版发行		



NOTES:
 Pitch : 5.08mm
 Rated Voltage : 300V
 Rated Current : 15A
 Withstand Voltage :
 AC2500V for 1 minute
 Insulation Resistance :
 5MΩ / DC500V
 Using Temperature Range :
 - 40℃ ~ + 105℃

技术要求:
 间距: 5.08mm
 额定电压: 300V
 额定电流: 15A
 耐电压值: AC2500V/min
 绝缘阻抗: 5MΩ/DC500V
 使用条件: -40℃ ~ +105℃

	pitch dimension			Nominal dimension					— ◇ ○
	over 0 to 6	over 6 to 10	over 10 to 24	over 0 to 30	over 30 to 60	over 60 to 100	over 100 to 150		
variable range	0	6	10	0	30	60	100	150	—
Tolerance	±0.1	±0.15	±0.25	±0.2	±0.3	±0.5	±0.7	±1.0	0.05/10

2	LZ1-5.08-直针(1.2)	1015B0002AV	P	黄铜	镀雾锡
1	LZ1-5.08-本体	1015A0YXXAV	1	PA66	
NO.	NAME OF PART	NO. OF PART	Q' TY	MATERIAL	NOTES
DES.	ARKINB	DATE 2010/5/20	UNITS	MM	THIRD ANGLE PROJECTION
CHK.		DATE	SIZE	A4	⊕
APP.		DATE	SCALE	1:1	DWG NO. SP-1-1015001
上海有乐电气有限公司 Shanghai YouLe Electric Co., Ltd				TITLE	LZ1V-5.08-XXP-1Y-00A
					LZ1V-5.08-成品