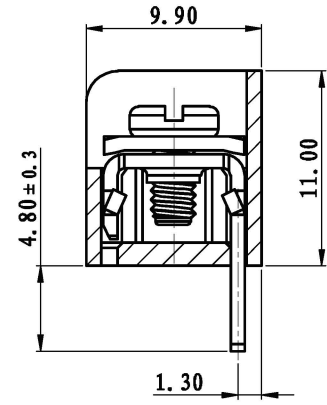
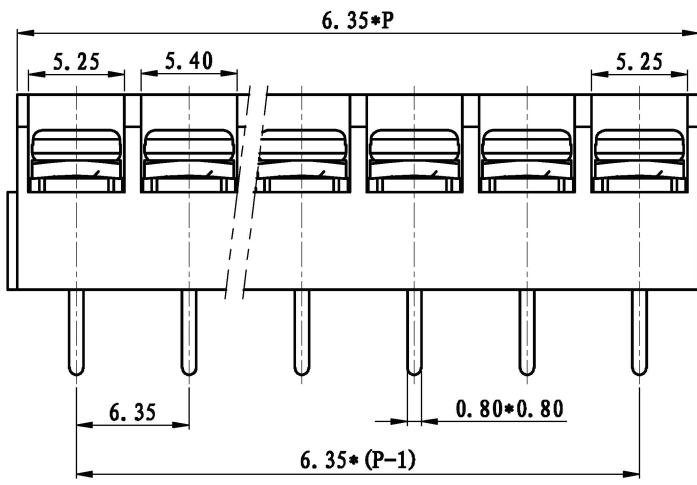
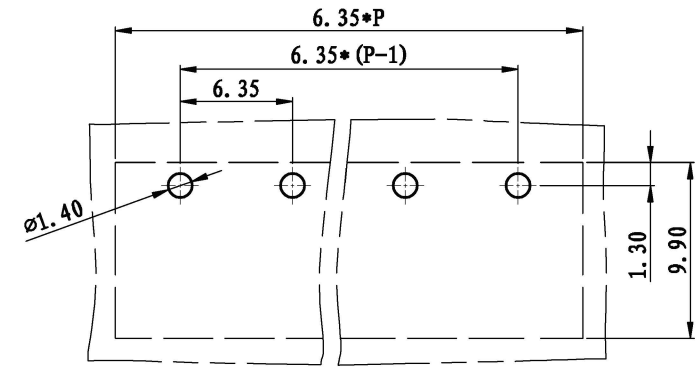
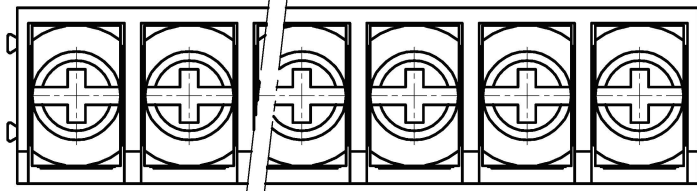


REVISION		RECORD	
REV.	CONTENT	MOD.	DATE
△	初版发行		



NOTES:  
 Pitch: 6.35mm  
 Rated Voltage: 300V  
 Rated Current: 15A  
 Withstand Voltage:  
 AC2500V for 1 minute  
 Insulation Resistance:  
 500MΩ / DC500V  
 Using Temperature Range:  
 -40°C ~ +130°C  
 Wire range: 22~14 AWG  
 Screw Torque Value: 0.4Nm

技术要求:  
 间距: 6.35mm  
 额定电压: 300V  
 额定电流: 15A  
 耐电压值: AC2500V/min  
 绝缘阻抗: 500MΩ/DC500V  
 使用条件: -40°C~+130°C  
 适用线规: 22~14 AWG  
 螺丝扭矩: 0.4Nm

	pitch dimension			Nominal dimension					—
	over	over	over	over	over	over	over	over	
variable range	0	6	10	0	30	60	100	150	▱
	to	to	to	to	to	to	to	to	
Tolerance	±0.1	±0.15	±0.25	±0.2	±0.3	±0.5	±0.7	±1.0	0.05/10

3	M2.5*5-5.2*5.2	SPFFA2550A1V	P	碳钢	三价铬钝化彩锌
2	LW3-6.35-焊脚	5016B0001AV	P	黄铜	镀雾锡
1	LW3P-6.35-本体	5016A0YXXAVP	1	PBT	
NO.	NAME OF PART	NO. OF PART	Q'TY	MATERIAL	NOTES
DES.	ARKINE	DATE	11-06-20	UNITS	MM
CHK.		DATE		SIZE	A4
APP.		DATE		SCALE	1:1
				DWG NO.	SP-2-5016002
				TITLE	LW3PB-6.35-XXP-1Y-00A
					LW3PB-6.35-成品

 上海有乐电气有限公司  
 Shanghai YouLe Electric Co., Ltd