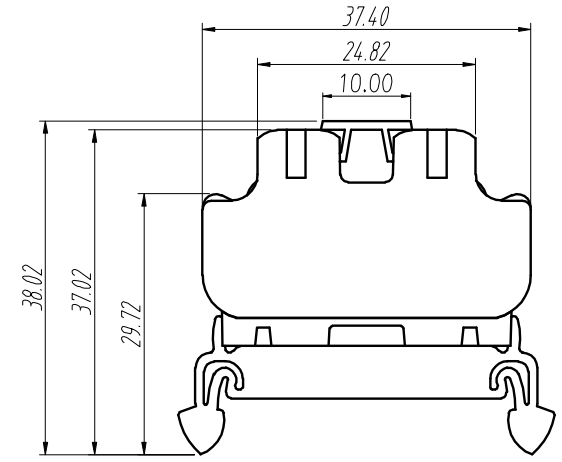
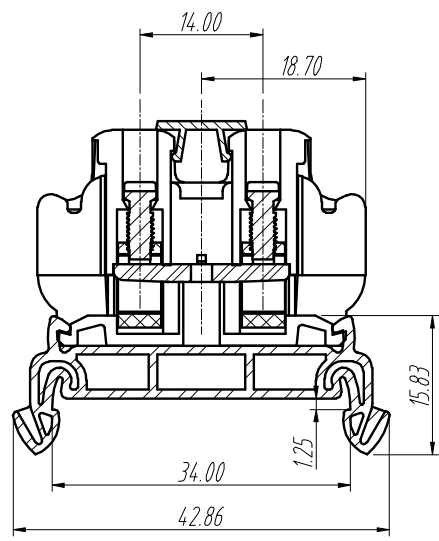
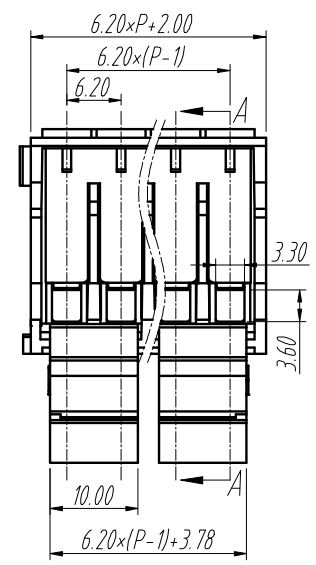
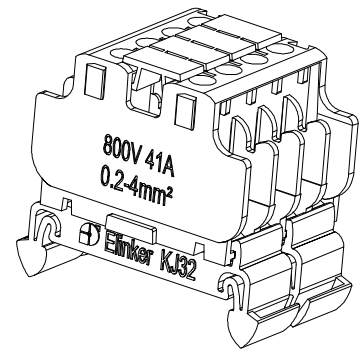
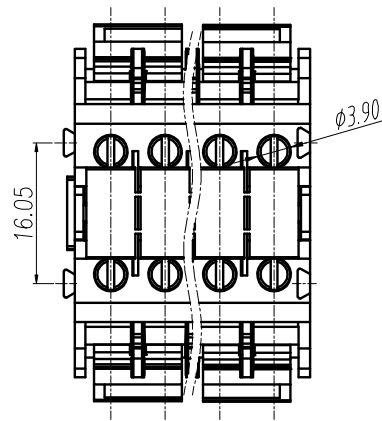


REVISION RECORD			
REV.	CONTENT	MOD.	DATE
①	初版发行		



技术要求:
 极数: 组装
 额定电压: 800V
 额定电流: 41A
 螺钉类型/扭力: M3/0.5N.m
 绝缘材料类型: PA
 阻燃等级: V0
 刚柔性导线: 0.2-4.0mm²

7	ZB6标记条	ZB6标记条	P/10		
6	LJ32-卡脚	6TB1J300253V	2	PA66-V0	
5	UK5N-导电件	6UK5B00001AV	P	黄铜	镀锌
4	UK5N-铜方块	F000000140V	2P	黄铜	镀锌
3	UK2.5B-螺丝	SSM0300070V	2P	合金钢	镀锌
2	LUK-盖板	6LUKB0Y0XX3V	1	PA66-V0	
1	LUK-主体	6LUKB0Y0XX3V	1	PA66-V0	
NO.	NAME OF PART	NO. OF PART	Q'TY	MATERIAL	NOTES
DBS.	WYY	DATE	2019/10/24	UNITS	MM
THIRD ANGLE	PROJECTION	1 of 1			
CHK.	DATE	SCALE	A4		
APP.	DATE	SCALE	1:1	DWG NO.	SP-1-H380250
				REV: V0	
上海有乐电气有限公司 Shanghai Youle Electric Co., Ltd				TITLE	LUK1-4/XX-00A LUK1-4/XX-成品

	pitch dimension			Nominal dimension					—
	over 0	over 6	over 10	over 0	over 30	over 60	over 100	over 150	
variable range	to 6	to 10	to 24	to 30	to 60	to 100	to 150		
Tolerance	±0.1	±0.15	±0.25	±0.2	±0.3	±0.5	±0.7	±1.0	0.05/10