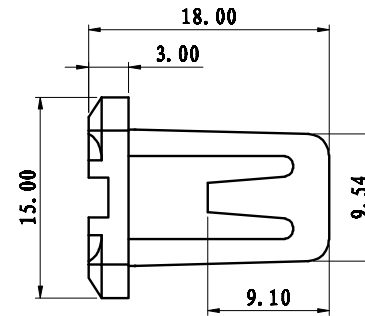
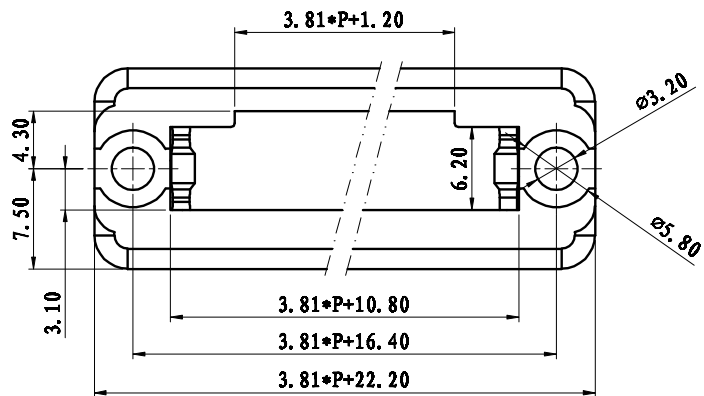
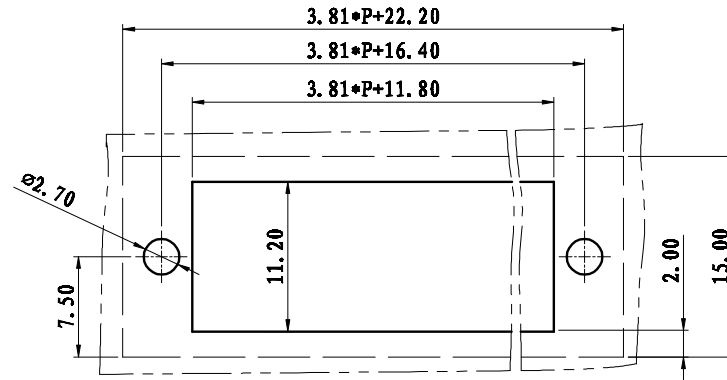
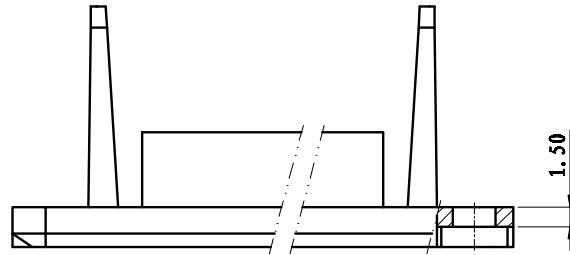


REVISION RECORD			
REV.	CONTENT	MOD.	DATE
①	初版发行		



技术要求:

1. 避免色差明显变形和缩水现象
2. 最大允许毛刺量0.05mm
3. 与LC10MG-3.81的产品匹配

	pitch dimension			Nominal dimension					—
	over 0	over 6	over 10	over 0	over 30	over 60	over 100	over 150	
variable range	to 6	to 10	to 24	to 30	to 60	to 100	to 150		
Tolerance	±0.1	±0.15	±0.25	±0.2	±0.3	±0.5	±0.7	±1.0	

1	LZSX-3.81-主体	1019M0YXAV	1	PA66+10%GF	
NO.	NAME OF PART	NO. OF PART	Q'TY	MATERIAL	NOTES
DES.	ZD	DATE 2019/03/23	UNITS	MM	THIRD ANGLE PROJECTION
CHK.		DATE	SIZE	A4	SHEET
APP.		DATE	SCALE	1:1	1 of 1
				DWG NO. SP-1-1019M01	REV: V0
	上海有乐电气有限公司 Shanghai YouLe Electric C O., LTD			TITLE	LZSX-3.81-XP-1Y-00A LZSX-3.81-产品