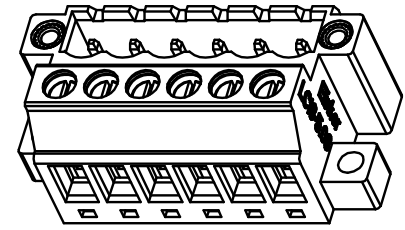
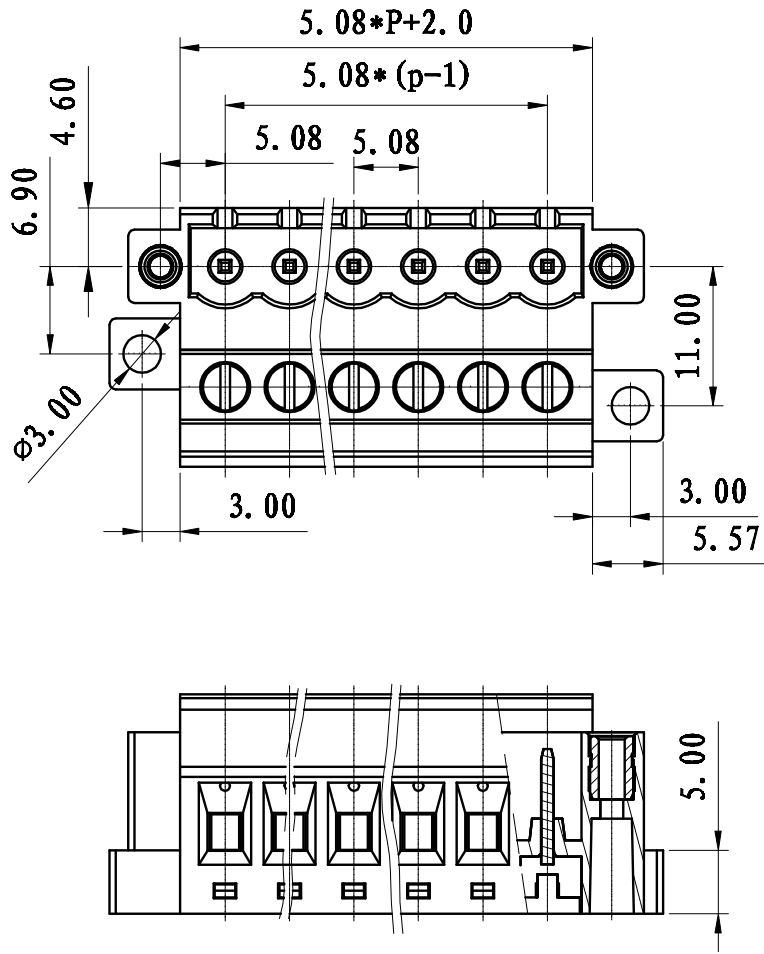
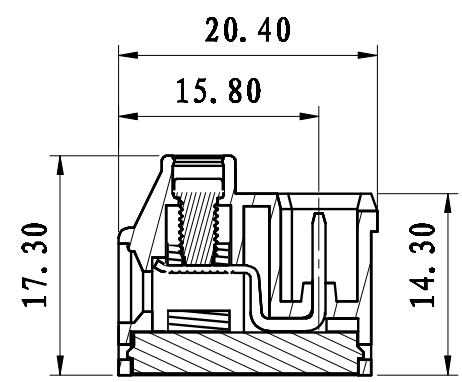


REVISION RECORD			
REV.	CONTENT	MOD.	DATE
△	初版发行		



NOTES:
Pitch: 5.08mm Pole: 2-24P
Rated Voltage: 300V
Rated Current: 15A
Withstand Voltage: AC2500V for 1 minute
Insulation Resistance : 500MΩ/DC500V
Using Temperature Range : -40→+105°
Wire range : 24-12 AWG
Screw Torque Value : 0.5N.m



技术要求:
间距: 5.08mm 极数: 2-24P
额定电压: 300V
额定电流: 15A
耐电压值: AC 2500V/min
绝缘阻抗: 500MΩ
使用条件: -40℃ →+105℃
适用线规: 24-12AWG
螺丝扭矩: 0.5 Nm

	pitch dimension			Nominal dimension					—
	over 0	over 6	over 10	over 0	over 30	over 60	over 100	over 150	
variable range	to 6	to 10	to 24	to 30	to 60	to 100	to 150		▱
Tolerance	±0.1	±0.15	±0.25	±0.2	±0.3	±0.5	±0.7	±1.0	○

6	LZ1耳朵螺母	SM00B250000V	2	黄铜	三价铬钝化彩锌
5	LC18-5.08方针	1047B0001AV	P	紫铜	镀锡
4	LC1-5.08-方块	F1A0BLC5083V	P	黄铜	镀镍
3	LC1-5.08-螺丝	SP0YA305301V	P	碳钢	三价铬钝化彩锌
2	LC18-5.08-盖板	1047C0YXXAV	1	PA66-V0	
1	LC18M-5.08主体	1047M0YXXAV	1	PA66-V0	
NO.	NAME OF PART	NO. OF PART	Q'TY	MATERIAL	NOTES
DES.	LDD	DATE	2012/05/22	UNITS	mm
CHK.		DATE		SIZE	A4
APP.		DATE		SCALE	1:1
					THIRD ANGLE PROJECTION
					SHEET 1 of 1
					DWG NO. SP-2-1047001
					REV: V0
上海有乐电气有限公司 Shanghai YouLe Electric CO.,LTD					TITLE
					LC18M-5.08-1Y-XIP-00A
					LC18M-5.08成品