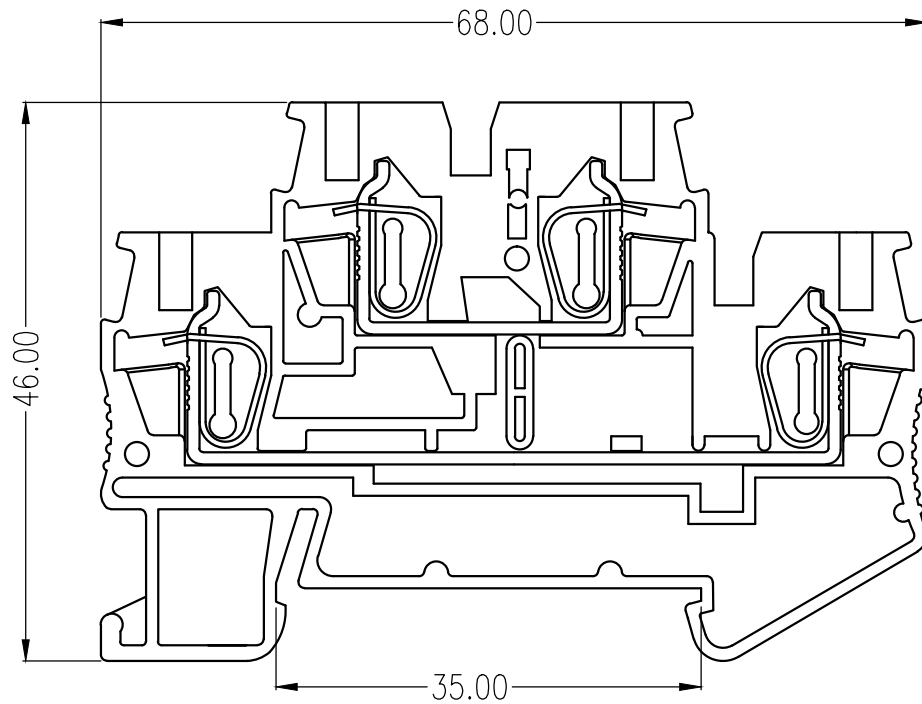
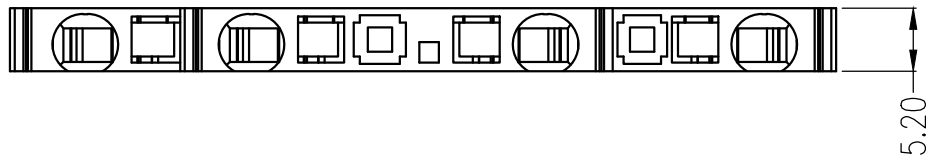


REVISION RECORD			
REV.	CONTENT	MOD.	DATE
△	初版发行		



技术要求:

极数: 组装

额定电压: 800V


额定电流: 20A

绝缘材料类型: PA

阻燃等级: V0

刚柔性导线: 2.5mm²

	pitch dimension			Nominal dimension					— /
	over 0 to 6	over 6 to 10	over 10 to 24	over 0 to 30	over 30 to 60	over 60 to 100	over 100 to 150	over 150	
variable range	0 to 6	6 to 10	10 to 24	0 to 30	30 to 60	60 to 100	100 to 150	150	— /
Tolerance	±0.1	±0.15	±0.25	±0.2	±0.3	±0.5	±0.7	±1.0	0.05/10

4	JSTTB-2.5-弹片	F2A0DJSTTBV	4	不锈钢	
3	JSTTB-2.5-导电件2	6TTBDD002V	1	紫铜	镀锡
2	JSTTB-2.5-导电件1	6TTBDD001V	1	紫铜	镀锡
1	JSTTB-2.5-本体	6TTBA10020V	1	PA	灰色
NO.	NAME OF PART	NO. OF PART	Q'TY	MATERIAL	NOTES
DES.	ZD	DATE	22-2-14	UNITS	mm
CHK.		DATE		SIZE	A4
APP.		DATE		SCALE	1:1
				THIRD ANGLE PROJECTION	SHEET
				DWG NO.	SP-2-6TTB001
				REV:	V0
 上海有乐电气有限公司 Shanghai YouLe Electric CO.,LTD				TITLE	JSTTB-2.5-110-00A JSTTB-2.5-成品