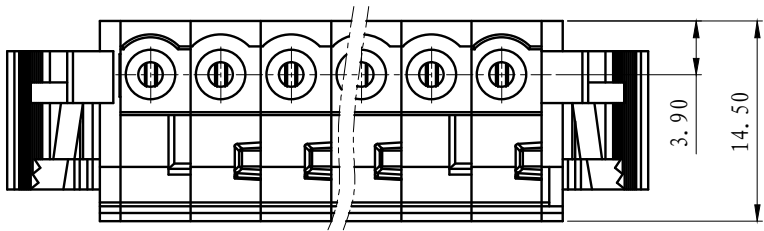


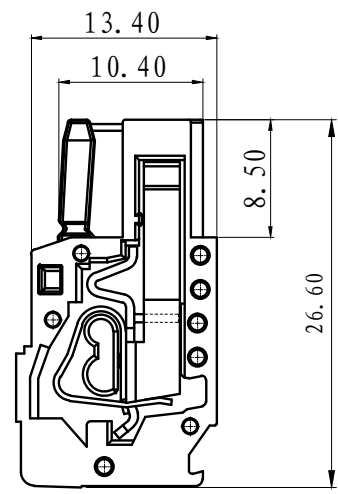
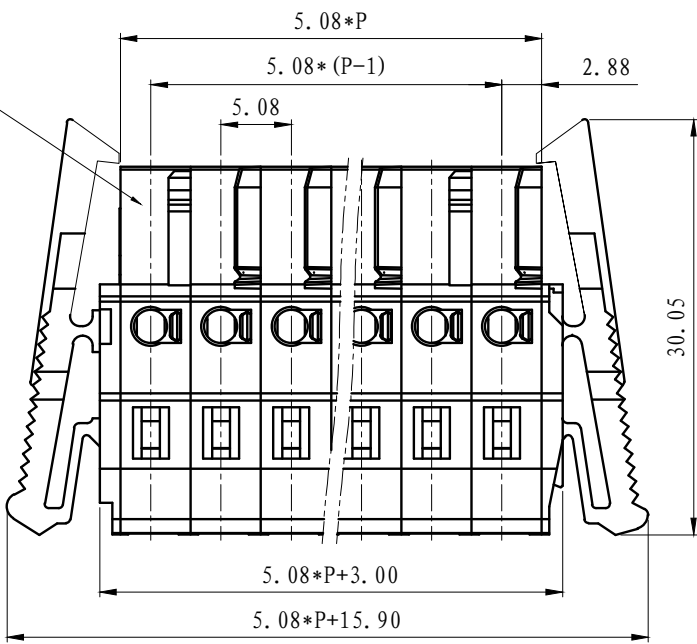
REVISION RECORD			
REV.	CONTENT	MOD.	DATE
△	初版发行		



NOTES:

Pitch: 5.08mm	技术要求:
Rated Voltage: 300 V	间距: 5.08mm
Rated Current: 15 A	额定电压: 300V
Withstand Voltage: AC2500V for 1 minute	额定电流: 15A
Insulation Resistance: 500MΩ / DC500V	耐压值: AC2500V/min
Using Temperature Range: -40°C ~ +105°C	绝缘阻抗: 500MΩ/DC500V
Wire range: 22~14AWG	使用条件: -40°C ~ +105°C
Stripping length: 6mm	适用线规: 22~14AWG
	剥线长度: 6mm

2P, 边件2在左边, 且只有一个
3P, 边件2左右各一个



	pitch dimension			Nominal dimension					—
	over 0	over 6	over 10	over 0	over 30	over 60	over 100	over 150	
variable range	to 6	to 10	to 24	to 30	to 60	to 100	to 150		▱
	to 6	to 10	to 24	to 30	to 60	to 100	to 150		⌒
Tolerance	±0.1	±0.15	±0.25	±0.2	±0.3	±0.5	±0.7	±1.0	0.05/10

6	LSC1J-5.08-盖板2	1059C0Y01AV	1	PA66-V0	
5	LSC1-弹片	F2A0DLSLC1BV	P	不锈钢	
4	LSC1-夹子	1056B0001AV	P	磷青铜	镀镍
3	LSC1J-5.08-盖板1	1061C0Y01AV	1	PA66-V0	
2	LSC1-5.08-中间件	1057A0Y01AV	P-2	PA66-V0	
1	LSC1-5.08-边件2	1058A0Y01AV	2	PA66-V0	
NO.	NAME OF PART	NO. OF PART	Q'TY	MATERIAL	NOTES
DES.	LDD	DATE	2012/08/15	UNITS mm	THIRD ANGLE PROJECTION SHEET
CHK.		DATE		SIZE A4	1 of 1
APP.		DATE		SCALE	DWG NO. SP-2-1058002 REV: V0
 上海有乐电气有限公司 Shanghai YouLe Electric CO.,LTD				TITLE	LSC1JB-5.08-成品