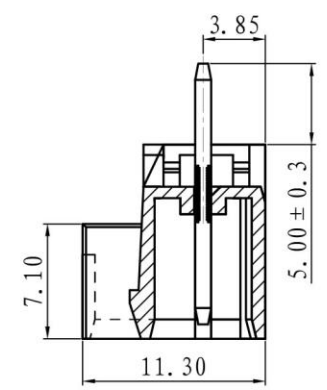
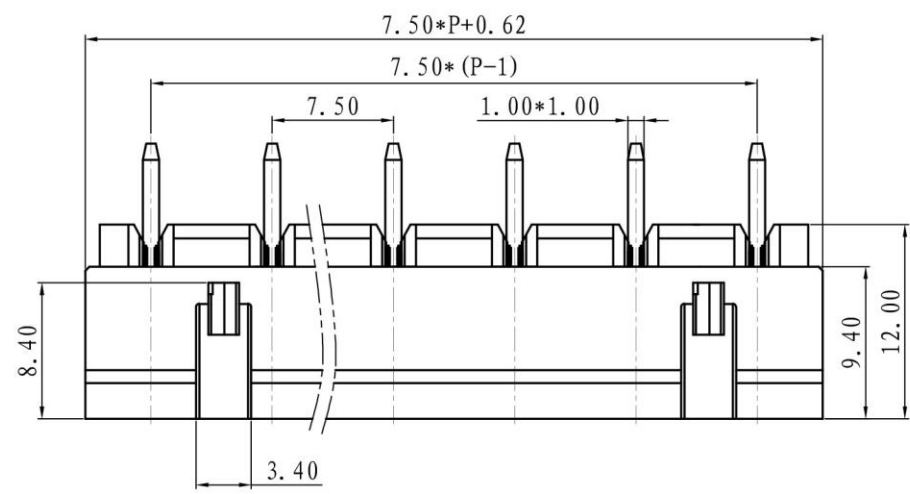
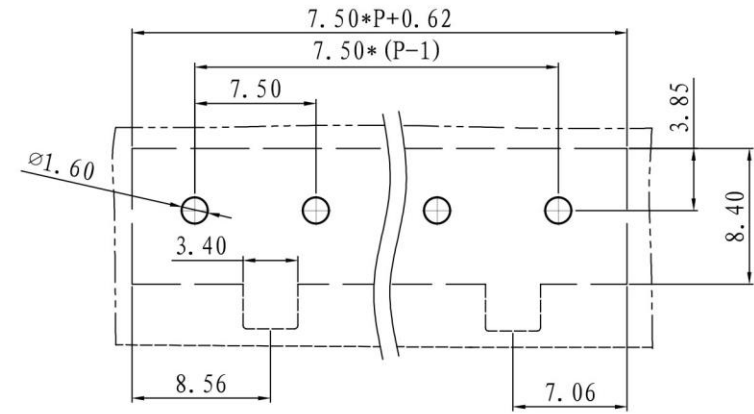
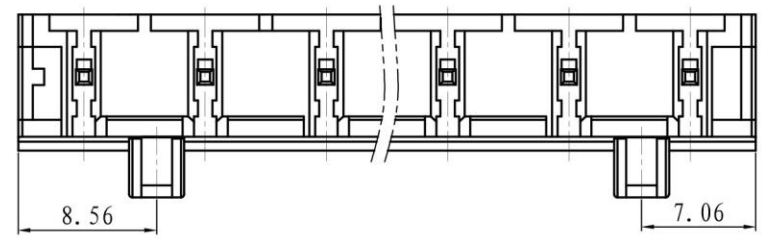


REVISION RECORD			
REV.	CONTENT	MOD.	DATE
△	初版发行		



NOTES:

1. Voltage Rating: 300V, Current Rating: 15A
2. PITCH: 7.5mm
3. Insulation Withstands Voltage: AC2500V/min
4. Using Temperature Range: -40°C- +105°C
5. Pole:2-12P

技术要求:

1. 额定电压: 300V, 额定电流: 15A
2. 间距: 7.5mm
3. 耐电压值: AC 2500V/min
4. 使用条件: -40°C- +105°C
5. 极数: 2-12P

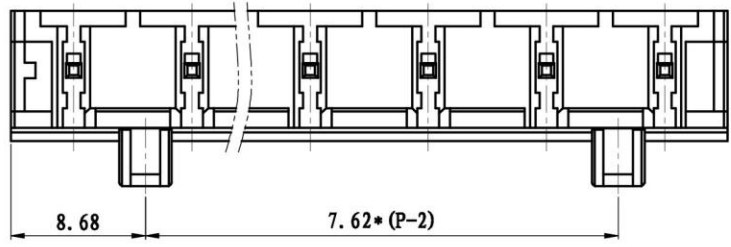
SECTION A-A

	pitch dimension			Nominal dimension					— ◇ ○
	over 0 to 6	over 6 to 10	over 10 to 24	over 0 to 30	over 30 to 60	over 60 to 100	over 100 to 150		
variable range	0 to 6	6 to 10	10 to 24	0 to 30	30 to 60	60 to 100	100 to 150		
Tolerance	±0.1	±0.15	±0.25	±0.2	±0.3	±0.5	±0.7	±1.0	0.05/10

2	LSZ1-5.08-直针	1055B0001AV	P	黄铜	镀雾锡
1	LSZ1B-7.5-主体	1093A0YXXAV	1	PA66	
NO. NAME OF PART		NO. OF PART	Q'TY	MATERIAL	NOTES
DES.	LDD	DATE	2012/08/15	UNITS	mm
CHK.		DATE		SIZE	A4
APP.		DATE		SCALE	1: 1
				DWG NO.	SP-1-1093A01
				REV:	V0
				TITLE	LSZ1BV-7.5-成品

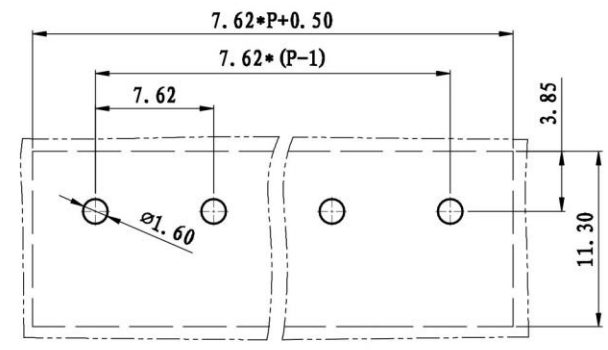
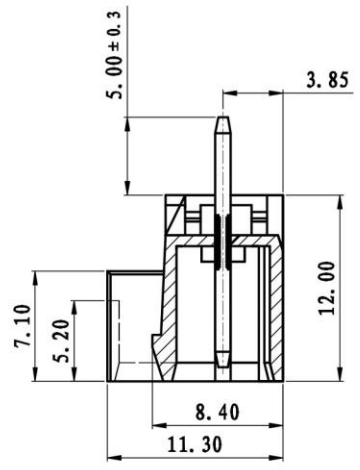
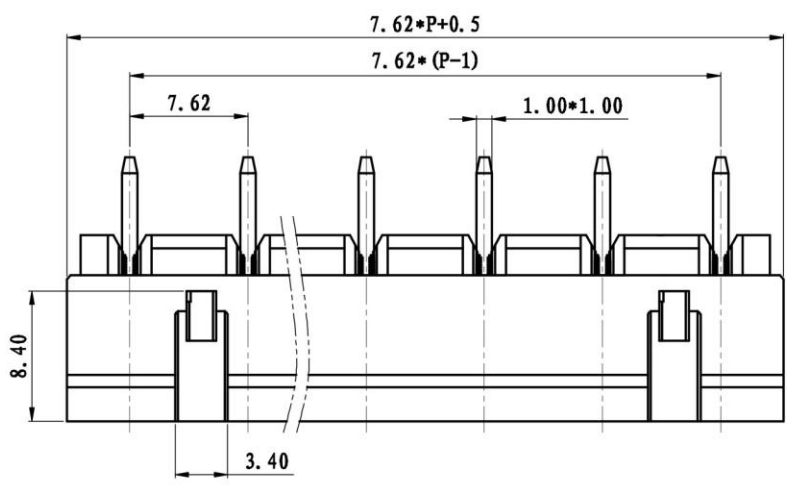
上海有乐电气有限公司
Shanghai YouLe Electric CO.,LTD

REVISION RECORD			
REV.	CONTENT	MOD.	DATE
▲	初版发行		



NOTES:
 Pitch : 7.62mm
 Rated Voltage : 300 V
 Rated Current : 15 A
 Withstand Voltage :
 AC2500V for 1 minute
 Insulation Resistance :
 500MΩ / DC500V
 Using Temperature Range :
 -40℃ ~ +105℃

技术要求:
 间距: 7.62mm
 额定电压: 300V
 额定电流: 15A
 耐电压值: AC2500V/min
 绝缘阻抗: 500MΩ/DC500V
 使用条件: -40℃~+105℃



	pitch dimension			Nominal dimension					—
	over	over	over	over	over	over	over	over	
variable	0	6	10	0	30	60	100	150	□
range	to	to	to	to	to	to	to	to	
	6	10	24	30	60	100	150		○
Tolerance	±0.1	±0.15	±0.25	±0.2	±0.3	±0.5	±0.7	±1.0	0.05/10

2	LSZ1-5.08-直针	1055B0001AV	P	黄铜	镀雾锡
1	LSZ1B-7.62-主体	1102A0YXXAV	1	PA66	
NO.	NAME OF PART	NO. OF PART	Q'TY	MATERIAL	NOTES
DES.	LDD	DATE 2012/08/15	UNITS	mm	THIRD ANGLE PROJECTION
CHK.		DATE	SIZE	A4	1 of 1
APP.		DATE	SCALE	1:1	DWG NO. SP-2-1102001 REV: V0
上海有乐电气有限公司 Shanghai YouLe Electric CO.,LTD				TITLE	LSZ1B-7.62-XP-1Y-00A LSZ1B-7.62-成品