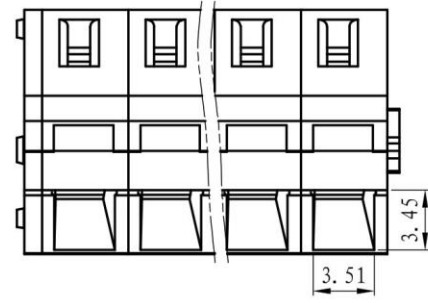
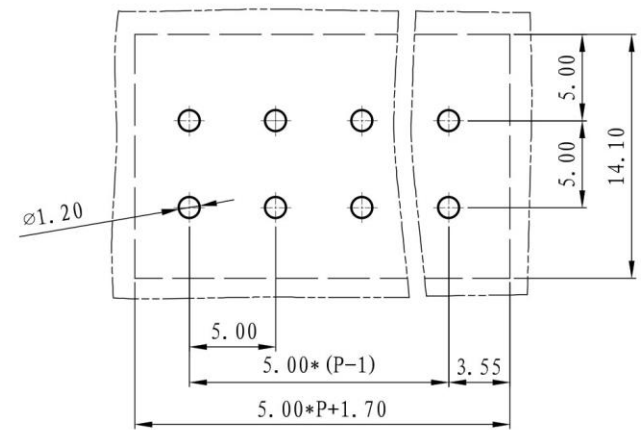
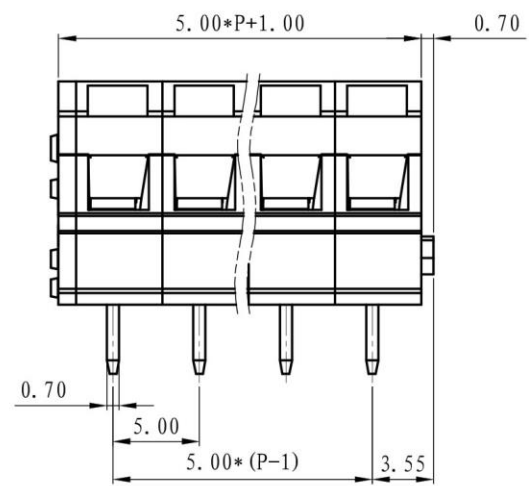
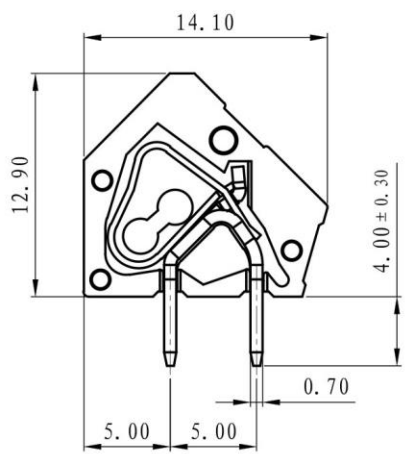


REVISION RECORD			
REV.	CONTENT	MOD.	DATE
△	初版发行		



NOTES:  
 Pitch : 5.0mm  
 Rated Voltage : 300 V  
 Rated Current : 17 A  
 Withstand Voltage :  
 AC2500V for 1 minute  
 Insulation Resistance :  
 500MΩ / DC1000V  
 Using Temperature Range :  
 -40℃ ~ +105℃  
 Wire range : 24~ 14AWG  
 Stripping length:6mm

技术要求:  
 间距: 5.0mm  
 额定电压: 300V  
 额定电流: 17A  
 耐压值: AC2500V/min  
 绝缘阻抗: 500MΩ/DC1000V  
 使用温度: -40℃~+105℃  
 适用线规: 24~ 14AWG  
 剥线长度: 6mm

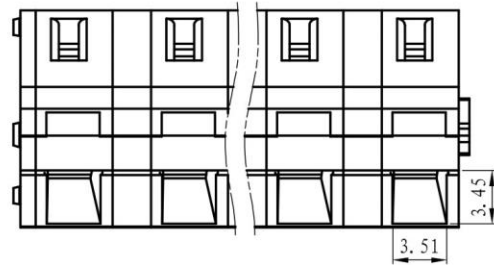


	pitch dimension			Nominal dimension					—
	over 0	over 6	over 10	over 0	over 30	over 60	over 100	over 150	
variable range	to 6	to 10	to 24	to 30	to 60	to 100	to 150		◇
									⌒
Tolerance	±0.1	±0.15	±0.25	±0.2	±0.3	±0.5	±0.7	±1.0	0.05/10

4	LS243-弹片	F2A0DLS243BV	P	不锈钢	
3	LS243-焊脚	3007B0001AV	P	紫铜	镀雾锡
2	LS245-盖板	3008C0Y01AV	1	PA66-V0	
1	LS245-5.0-主体	3008A0Y01AV	P	PA66-V0	
NO.	NAME OF PART	NO. OF PART	Q'TY	MATERIAL	NOTES
DES.	XLM	DATE	2012/3/31	UNITS	mm
CHK.		DATE		SIZE	A4
APP.		DATE		SCALE	1:1
				DWG NO.	SP-2-3008001
				REV:	V0
				TITLE	LS245-5.0-XXP-1Y-00A
					LS245-5.0-成品

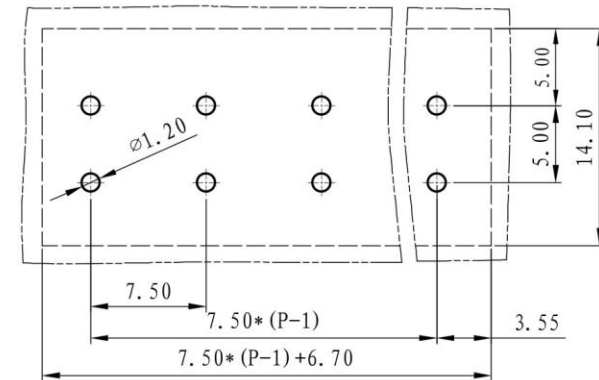
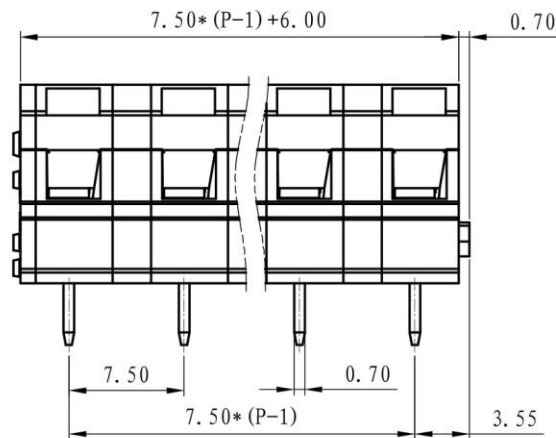
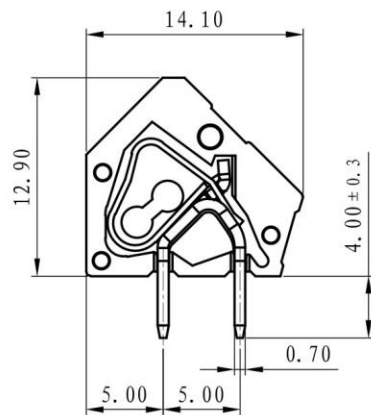
上海有乐电气有限公司  
 ShanghaiYouLeElectric CO.,LTD

REVISION RECORD			
REV.	CONTENT	MOD.	DATE
△	初版发行		



NOTES:  
 Pitch : 7.5mm  
 Rated Voltage : 300 V  
 Rated Current : 17 A  
 Withstand Voltage :  
 AC2500V for 1 minute  
 Insulation Resistance :  
 500MΩ / DC1000V  
 Using Temperature Range :  
 -40℃ ~ +105℃  
 Wire range : 24~ 14AWG  
 Stripping length: 6mm

技术要求:  
 间距: 7.5mm  
 额定电压: 300V  
 额定电流: 17A  
 耐压值: AC2500V/min  
 绝缘阻抗: 500MΩ/DC1000V  
 使用温度: -40℃~+105℃  
 适用线规: 24~ 14AWG  
 剥线长度: 6mm



5	LS243-弹片	F2A0DLS243BV	P	不锈钢			
4	LS243-焊脚	3007B0001AV	P	紫铜	镀雾锡		
3	LS245-盖板	3008C0Y01AV	1	PA66-V0			
2	LS245-2.5-隔板	3008H0Y02AV	P-1	PA66-V0			
1	LS245-5.0-主体	3008A0Y01AV	P	PA66-V0			
NO.	NAME OF PART	NO. OF PART	Q'TY	MATERIAL	NOTES		
DES.	XLM	DATE	2012/3/31	UNITS	mm	THIRD ANGLE PROJECTION	SHEET
CHK.		DATE		SIZE	A4		1 of 1
APP.		DATE		SCALE	1:1	DWG NO.	SP-2-3008003
				TITLE	LS245-7.5-XXP-1Y-00A		
					LS245-7.5-成品		

	pitch dimension			Nominal dimension					—
	over 0	over 6	over 10	over 0	over 30	over 60	over 100	over 150	
variable range	to 6	to 10	to 24	to 30	to 60	to 100	to 150		
Tolerance	±0.1	±0.15	±0.25	±0.2	±0.3	±0.5	±0.7	±1.0	0.05/10