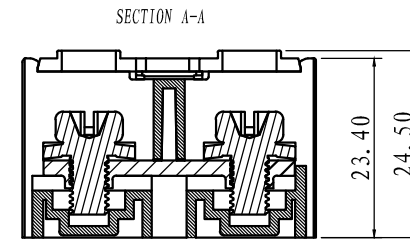
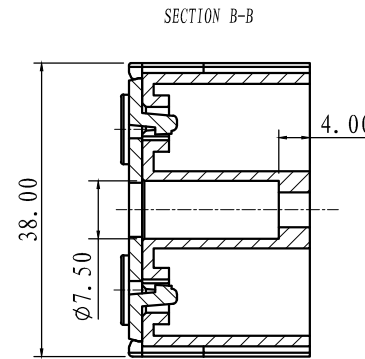
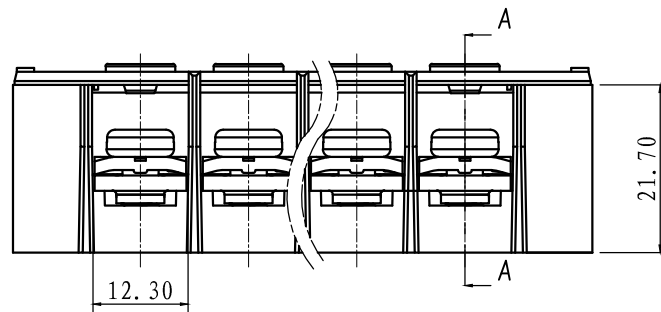
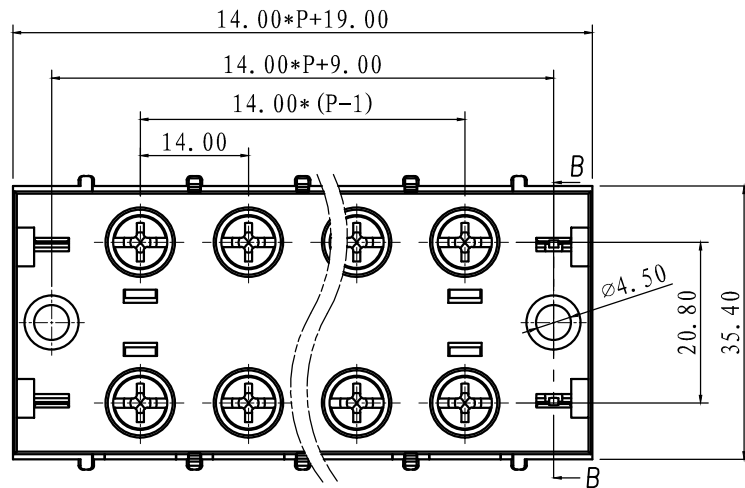



REVISION RECORD			
REV.	CONTENT	MOD.	DATE
△	初版发行		



技术要求:
 间距: 14.0mm
 额定电压: 600V
 额定电流: 45A
 耐电压值: AC3000V/min
 绝缘阻抗: 1000MΩ/DC1000V
 使用条件: -40℃~+105℃
 适用线规: 22-10 AWG
 螺丝扭矩: M5/2.0Nm

	pitch dimension			Nominal dimension					—
	over 0	over 6	over 10	over 0	over 30	over 60	over 100	over 150	
variable range	to 6	to 10	to 24	to 30	to 60	to 100	to 150		□
Tolerance	±0.1	±0.15	±0.25	±0.2	±0.3	±0.5	±0.7	±1.0	○

5	标记条		1	A4腹膜纸	
4	M5*10-12*12螺丝	SPFSA501099V	2P	碳钢	镀蓝白锌
3	TA-40A-导电件	6TB1BDD040AV	P	黄铜	镀镍
2	TB1-45XX-A盖板	6TB1C7045X0V	1	PC	透明
1	TB1-45XX-A主体	6TB1E0Y45X0V	1	PC	黑色
NO.	NAME OF PART	NO. OF PART	Q'TY	MATERIAL	NOTES
DES.	ZSH	DATE	2016/03/10	UNITS	mm
CHK.		DATE		SIZE	A4
APP.		DATE		SCALE	1:1
				THIRD ANGLE PROJECTION	SHEET
				DWG NO.	1 of 1
				SP-2-6TB35A1	REV: V0
 上海有乐电气有限公司 Shanghai YouLe Electric C.O.,LTD				TITLE	TB1-45XX-A-130-00A
					TB1-45XX-A成品