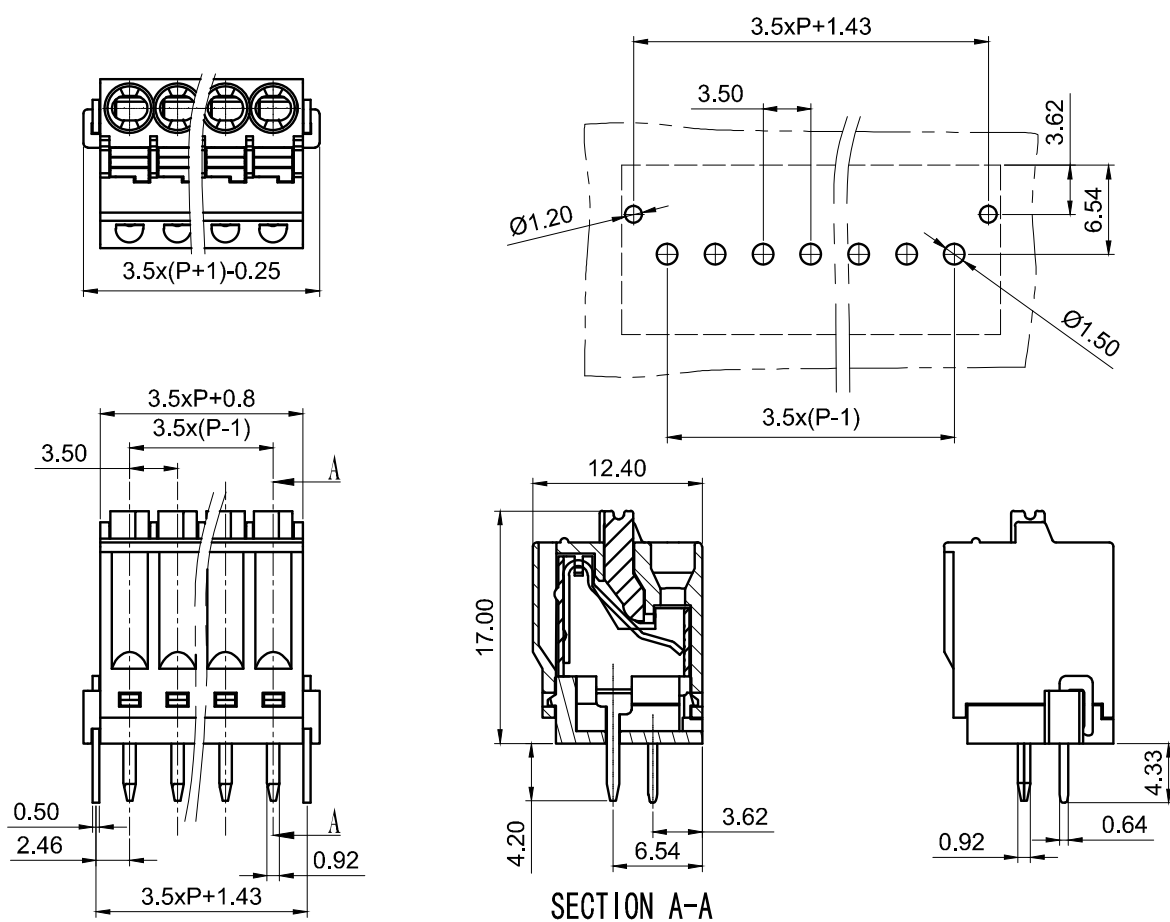


REVISION RECORD

REV.	CONTENT	MOD.	DATE
△0	初版发行		



NOTES:
 Pitch : 3.5mm
 Rated Voltage : 300V
 Rated Current : 8A
 Withstand Voltage :
 AC2500V for 1 minute
 Insulation Resistance :
 500MΩ / DC500V
 Using Temperature Range :
 - 40℃ ~ + 105℃
 Wire range : 28~ 16AWG

技术要求:
 间距: 3.5mm
 额定电压: 300V
 额定电流: 8A
 耐电压值: AC2500V/min
 绝缘阻抗: 500MΩ/DC500V
 使用条件: -40℃~+105℃
 适用线规: 28~16AWG

SECTION A-A

6	V3.81/3.5耳朵五金件	2079B0003AV	2	黄铜	镀亮锡
5	LC60-3.81五金件	2079B0001AV	P	磷青铜	镀亮锡
4	LC6-3.81-弹片	F2A0DLC638BV	p	不锈钢	
3	LC6-3.81-按钮	1043D0YXXAV	P	POM	
2	LS241V/R-3.5盖板	2087C0YXXAV	1	PA66-V0	
1	LC6-3.5-本体	1113A0YXXAV	1	PA66-V0	
NO.	NAME OF PART	NO. OF PART	Q'TY	MATERIAL	NOTES
DES.	WY	DATE	2021/05/23	UNITS	MM
CHK.		DATE		SIZE	A4
APP.		DATE		SCALE	1:1
				DWG NO.	SP-1-2087140
				REV:	V0

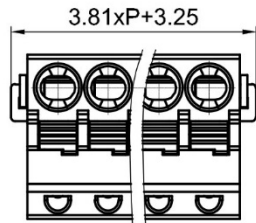
	pitch dimension			Nominal dimension					— ◇ ○
	over 0	over 6	over 10	over 0	over 30	over 60	over 100	over 150	
variable range	to 6	to 10	to 24	to 30	to 60	to 100	to 150		
Tolerance	±0.1	±0.15	±0.25	±0.2	±0.3	±0.5	±0.7	±1.0	0.05/10



上海有乐电气有限公司
 Shanghai Youle Electric Co., Ltd

TITLE
 LS241V-3.5-XXP-1Y-00A
 LS241V-3.5-成品

REVISION RECORD			
REV.	CONTENT	MOD.	DATE
△	初版发行		



NOTES1:

UL Standard:

1.Voltage Rating: 300V, Current Rating: 8A

2.Suitable Electric Wire: 28-16AWG

IEC Standard:

1.Voltage Rating: 160V, Current Rating: 8A

2.Suitable Electric Wire: 26-14AWG

技术要求1:

UL 标准:

1. 额定电压: 300V, 额定电流: 8A

2. 适用线规: 28~16AWG

IEC 标准:

1. 额定电压: 160V, 额定电流: 8A

2. 适用线规: 26~14AWG

NOTES2:

1.Pitch : 3.81mm

2.Withstand Voltage : AC2500V for 1 minute

3.Insulation Resistance : 500MΩ / DC500V

4.Using Temperature Range : - 40℃ ~ + 105℃

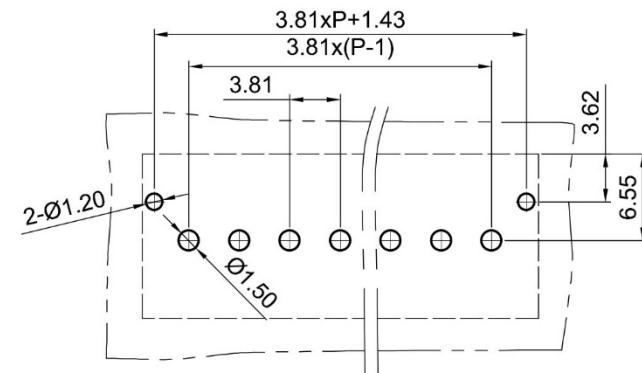
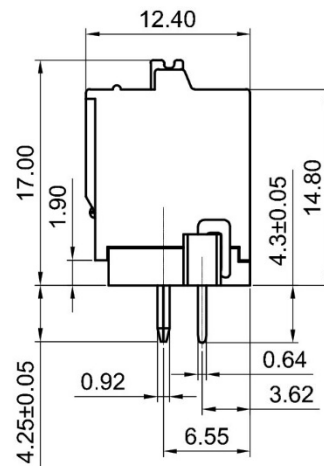
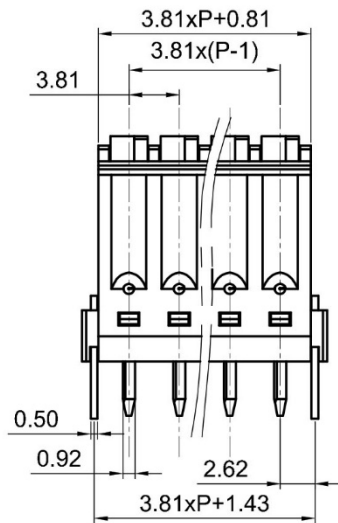
技术要求2:

1. 间距: 3.81mm

2. 耐电压值: AC2500V/min

3. 绝缘阻抗: 500MΩ/DC500V


4. 使用条件: -40℃~+105℃



	pitch dimension			Nominal dimension					— ▭ ⌒
	over 0	over 6	over 10	over 0	over 30	over 60	over 100	over 150	
variable range	to 6	to 10	to 24	to 30	to 60	to 100	to 150		
Tolerance	±0.1	±0.15	±0.25	±0.2	±0.3	±0.5	±0.7	±1.0	0.05/10

6	V3.81/3.5耳朵五金件	2079B0003AV	2	黄铜	镀亮锡
5	LC60-3.81五金件	2079B0001AV	P	磷青铜	镀亮锡
4	LC6-3.81-弹片	F2A0DLC638BV	P	不锈钢	
3	LC6-3.81-按钮	1043D0YXXAV	P	PA66-V0	
2	LS241V/R-3.81盖板	2079C0YXXAV	1	PA66-V0	
1	LC6-3.81-本体	1043A0YXXAV	1	PA66-V0	

NO.	NAME OF PART	NO. OF PART	Q' TY	MATERIAL	NOTES
DES.	WY	DATE	2021/07/12	UNITS	MM
CHK.		DATE		SIZE	A4
APP.		DATE		SCALE	1:1
				DWG NO.	SP-1-2079140
				REV:	V0
				TITLE	LS241V-3.81-XXP-1Y-00A
					LS241V-3.81-成品

 上海有乐电气有限公司
Shanghai Youle Electric Co., Ltd