

REVISION RECORD			
REV.	CONTENT	MOD.	DATE
①	初版发行		

NOTES:
 Pitch : 5.0mm
 Rated Voltage : 300V
 Rated Current : 10A
 Withstand Voltage :
 AC2500V for 1 minute
 Insulation Resistance :
 500MΩ / DC500V
 Using Temperature Range :
 - 40℃ ~ + 105℃
 Wire range : 26~ 12AWG

技术要求:
 间距: 5.0mm
 额定电压: 300V
 额定电流: 10A
 耐电压值: AC2500V/min
 绝缘阻抗: 500MΩ/DC500V
 使用条件: -40℃~+105℃
 适用线规: 26~12AWG

6	R5.08/5.0耳朵五金件	2080B0003AV	2	黄铜	镀亮锡
5	LS242R-5.08/5.0五金件	2080B0001AV	P	磷青铜	镀亮锡
4	LC6-5.08-弹片	F2A0DLC658BV	P	不锈钢	
3	LC6-5.08-按钮	1020D0Y01AV	P	POM	
2	LS242V/R-5.0-盖板	2088C0YXXAV	1	PA66	
1	LC6-5.0-本体	1152A0YXXAV	1	PA66	
NO.	NAME OF PART	NO. OF PART	Q'TY	MATERIAL	NOTES
DES.	WY	DATE	2022/04/22	UNITS	MM
CHK.		DATE		SIZE	A4
APP.		DATE		SCALE	1:1
				DWG NO.	SP-2-2080002
				TITLE	LS242R-5.0-XXP-1Y-00A
					LS242R-5.0-成品

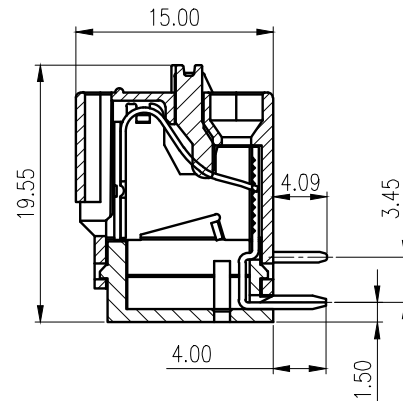
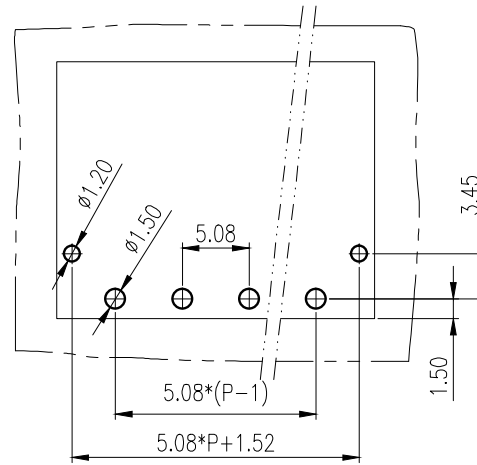
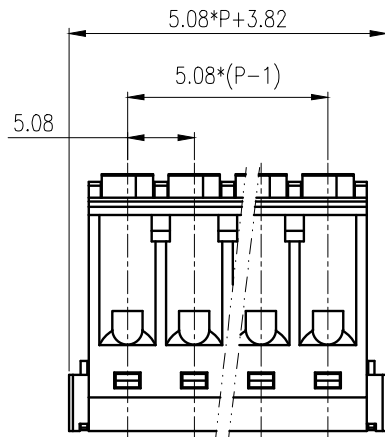
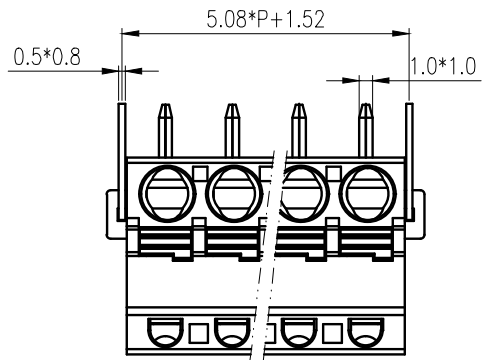
	pitch dimension			Nominal dimension					— /
	over 0	over 6	over 10	over 0	over 30	over 60	over 100	over 150	
variable range	to 6	to 10	to 24	to 30	to 60	to 100	to 150		◇ ○
Tolerance	±0.1	±0.15	±0.25	±0.2	±0.3	±0.5	±0.7	±1.0	0.05/10



上海有乐电气有限公司
 Shanghai Youle Electric Co., Ltd

TITLE

LS242R-5.0-XXP-1Y-00A
 LS242R-5.0-成品

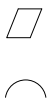


REVISION RECORD			
REV.	CONTENT	MOD.	DATE
△	初版发行		

NOTES:
 Pitch : 5.08mm
 Rated Voltage : 300V
 Rated Current : 10A
 Withstand Voltage :
 AC2500V for 1 minute
 Insulation Resistance :
 500MΩ / DC500V
 Using Temperature Range :
 - 40°C ~ + 105°C
 Wire range : 26~ 12AWG

技术要求:
 间距: 5.08mm
 额定电压: 300V
 额定电流: 10A
 耐电压值: AC2500V/min
 绝缘阻抗: 500MΩ/DC500V
 使用条件: -40°C~+105°C
 适用线规: 26~12AWG

6	R5.08/5.0耳朵五金件	2080B0003AV	2	黄铜	镀亮锡	
5	LS242R-5.08/5.0五金件	2080B0001AV	P	磷青铜	镀亮锡	
4	LC6-5.08-弹片	F2A0DLC658BV	P	不锈钢		
3	LC6-5.08-按钮	1020D0Y01AV	P	PA66		
2	LS242-5.08-盖板	2083N0YXXAV	1	PA66		
1	LS242-5.08-本体	2083A0YXXAV	1	PA66		
NO.	NAME OF PART		NO. OF PART	Q'TY	MATERIAL	NOTES
DES.	ZD	DATE	2020/11/7	UNITS	MM	THIRD ANGLE PROJECTION SHEET
CHK.		DATE		SIZE	A4	 1 of 1
APP.		DATE		SCALE	1:1	DWG NO. SP-2-20830002 REV: V0
 上海有乐电气有限公司 Shanghai YouLe Electric C O.,LTD					TITLE	LS242R-5.08-XXP-1Y-00A
						LS242R-5.08-成品

	pitch dimension			Nominal dimension					— /
	over 0	over 6	over 10	over 0	over 30	over 60	over 100	over 150	
variable range	to 6	to 10	to 24	to 30	to 60	to 100	to 150		
Tolerance	±0.1	±0.15	±0.25	±0.2	±0.3	±0.5	±0.7	±1.0	0.05/10