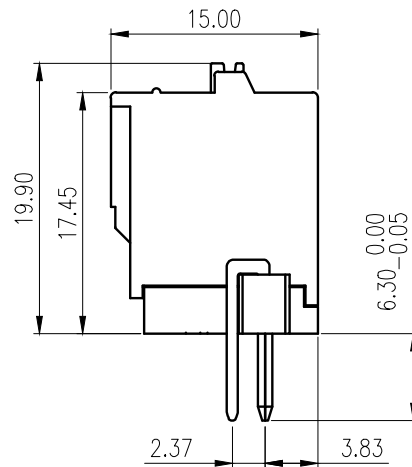
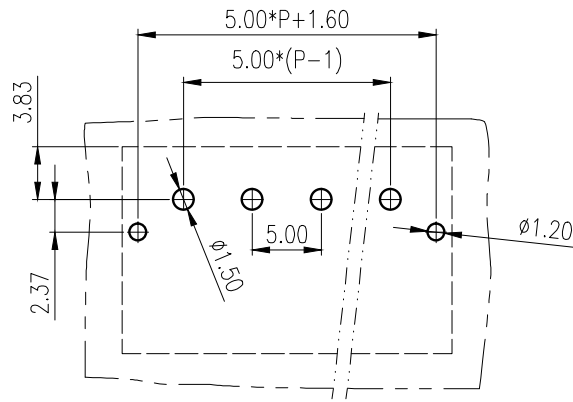
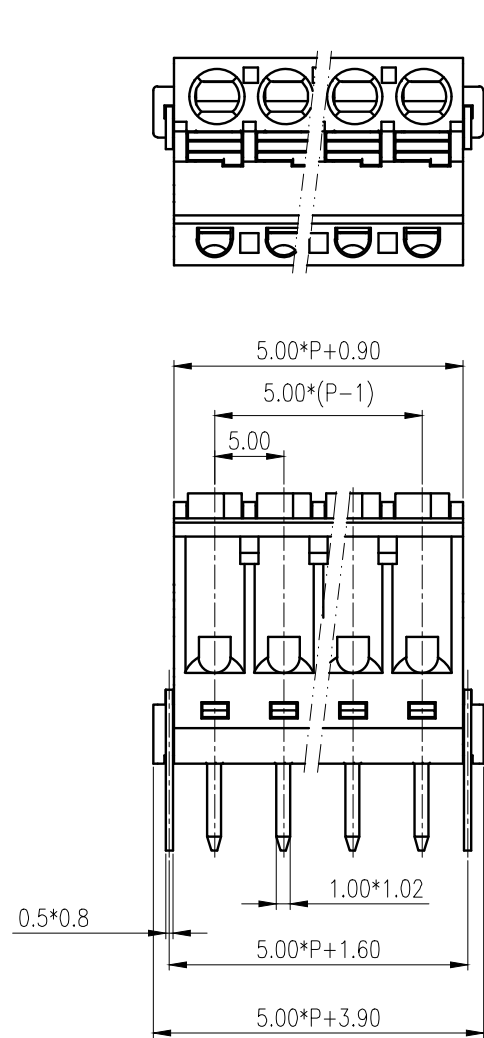


REVISION RECORD			
REV.	CONTENT	MOD.	DATE
△	初版发行		



NOTES:
 Pitch : 5.0mm
 Rated Voltage : 300V
 Rated Current : 10A
 Withstand Voltage :
 AC2500V for 1 minute
 Insulation Resistance :
 500MΩ / DC500V
 Using Temperature Range :
 -40°C ~ +105°C
 Wire range : 26~ 12AWG

技术要求:
 间距: 5.0mm
 额定电压: 300V
 额定电流: 10A
 耐电压值: AC2500V/min
 绝缘阻抗: 500MΩ/DC500V
 使用条件: -40°C~+105°C
 适用线规: 26~12AWG

6	V5.08/5.0耳朵五金件	2080B0002AV	2	黄铜	镀亮锡
5	LC60-5.08五金件	2083B0001AV	P	磷青铜	镀亮锡
4	LC6-5.08-弹片	F2A0DLC658BV	P	不锈钢	
3	LC6-5.08-按钮	1020D0Y01AV	P	POM	
2	LS242V/R-5.0-盖板	2088C0YXXAV	1	PA66	
1	LC6-5.0-本体	1152A0YXXAV	1	PA66	
NO.	NAME OF PART	NO. OF PART	Q'TY	MATERIAL	NOTES
DES.	WY	DATE	2022/04/22	UNITS	MM
CHK.		DATE		SIZE	A4
APP.		DATE		SCALE	1:1
				TITLE	LS242V-5.0-XXP-1Y-00A
					LS242V-5.0-成品

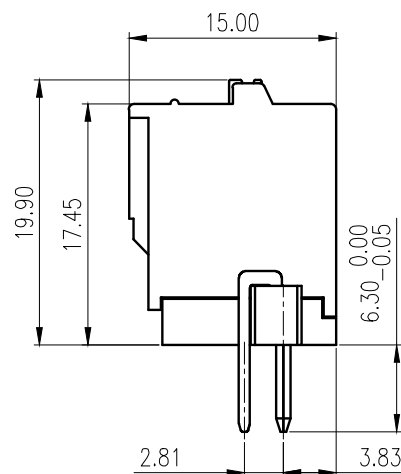
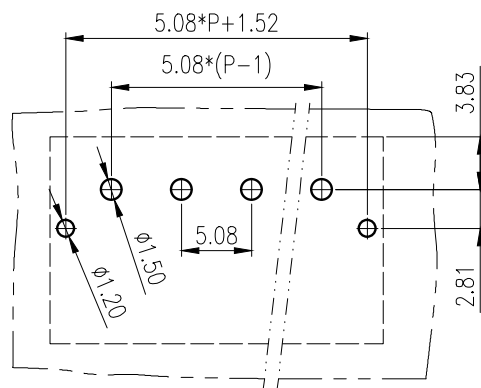
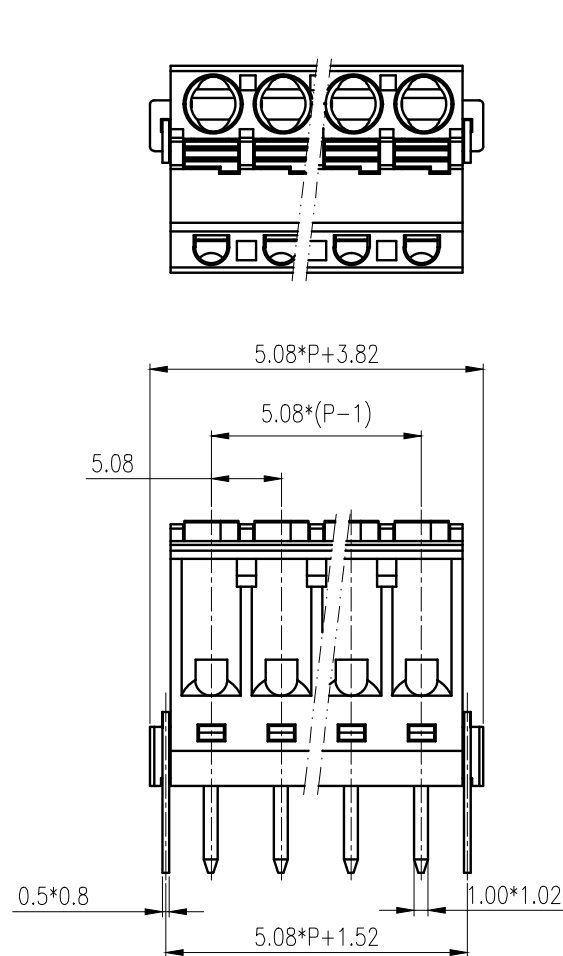
	pitch dimension			Nominal dimension					— ◇ ○
	over 0	over 6	over 10	over 0	over 30	over 60	over 100	over 150	
variable range	to 6	to 10	to 24	to 30	to 60	to 100	to 150		
Tolerance	±0.1	±0.15	±0.25	±0.2	±0.3	±0.5	±0.7	±1.0	0.05/10



上海有乐电气有限公司
 Shanghai YouLe Electric Co., LTD

TITLE

LS242V-5.0-XXP-1Y-00A
 LS242V-5.0-成品



REVISION RECORD			
REV.	CONTENT	MOD.	DATE
△	初版发行		

NOTES1:

UL Standard:

1.Voltage Rating: 300V, Current Rating: 10A

2.Suitable Electric Wire: 26-12AWG

IEC Standard:

1.Voltage Rating: 400V, Current Rating: 15A

2.Suitable Electric Wire: 24-12AWG

NOTES2:

1.Pitch : 5.08mm

2.Withstand Voltage : AC2500V for 1 minute

3.Insulation Resistance : 500MΩ / DC500V

4.Using Temperature Range : - 40℃ ~ + 105℃

技术要求1:

UL 标准:

1. 额定电压: 300V, 额定电流: 10A

2. 适用线规: 26~12AWG

IEC 标准:

1. 额定电压: 400V, 额定电流: 15A

2. 适用线规: 24~12AWG

技术要求2:

1. 间距: 5.08mm

2. 耐电压值: AC2500V/min

3. 绝缘阻抗: 500MΩ/DC500V

4. 使用条件: -40℃~+105℃

	pitch dimension			Nominal dimension					— ◇ ○
	over 0 to 6	over 6 to 10	over 10 to 24	over 0 to 30	over 30 to 60	over 60 to 100	over 100 to 150	over 150	
variable range	0 to 6	6 to 10	10 to 24	0 to 30	30 to 60	60 to 100	100 to 150	150	◇
Tolerance	±0.1	±0.15	±0.25	±0.2	±0.3	±0.5	±0.7	±1.0	0.05/10

6	V5.08/5.0耳朵五金件	2080B0002AV	2	黄铜	镀亮锡
5	LC60-5.08五金件	2083B0001AV	P	磷青铜	镀亮锡
4	LC6-5.08-弹片	F2A0DLC658BV	p	不锈钢	
3	LC6-5.08-按钮	1020D0Y01AV	P	POM	
2	LS242V/R-5.08-盖板	2080C0YXXAV	1	PA66	
1	LC6-5.08-本体	1020A0YXXAV	1	PA66	
NO.	NAME OF PART	NO. OF PART	Q'TY	MATERIAL	NOTES
DES.	WY	DATE	2021/07/12	UNITS	MM
CHK.		DATE		SIZE	A4
APP.		DATE		SCALE	1:1
				DWG NO.	SP-2-2080001
				TITLE	LS242V-5.08-XXP-1Y-00A
					LS242V-5.08-成品



上海有乐电气有限公司
Shanghai YouLe Electric Co., LTD

TITLE

LS242V-5.08-XXP-1Y-00A
LS242V-5.08-成品