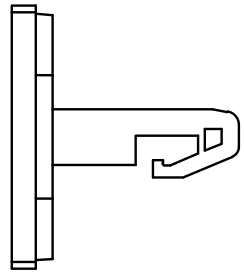
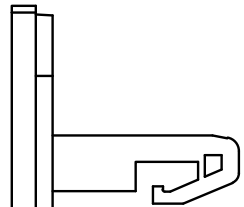


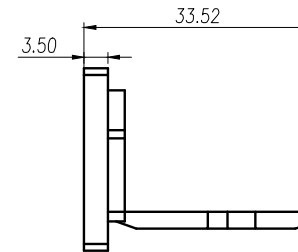
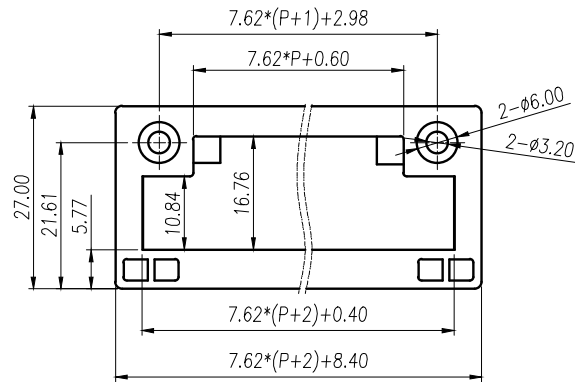
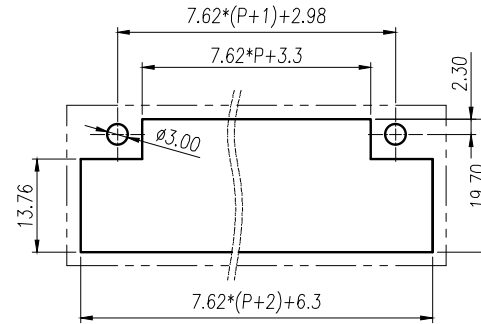
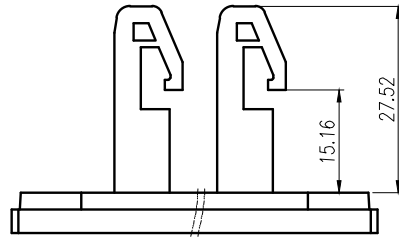
REVISION RECORD			
REV.	CONTENT	MOD.	DATE
△	出版发行		



2P



3P



技术要求:  
 1. 避免色差、明显变形和缩水等现象  
 2. 最大毛边为0.05mm

	pitch dimension			Nominal dimension					—
	over 0	over 6	over 10	over 0	over 30	over 60	over 100	over 150	
variable range	to 6	to 10	to 24	to 30	to 60	to 100	to 150		□
Tolerance	±0.1	±0.15	±0.25	±0.2	±0.3	±0.5	±0.7	±1.0	○

1	LZ5XH-7.62-主体	1157A0YXXAV	1	PC	
NO.	NAME OF PART	NO. OF PART	Q' TY	MATERIAL	NOTES
DES.	ZD	DATE	2019/6/29	UNITS	MM
CHK.		DATE		SIZE	A4
APP.		DATE		SCALE	1:1
				DWG NO.	SP-1-1157001
				REV:	V0
				TITLE	LZ5XH-7.62-XXP-140-00A
					LZ5XH-7.62-主体



上海有乐电气有限公司  
 Shanghai Youle Electric Co., LTD