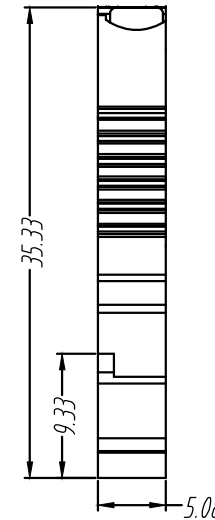
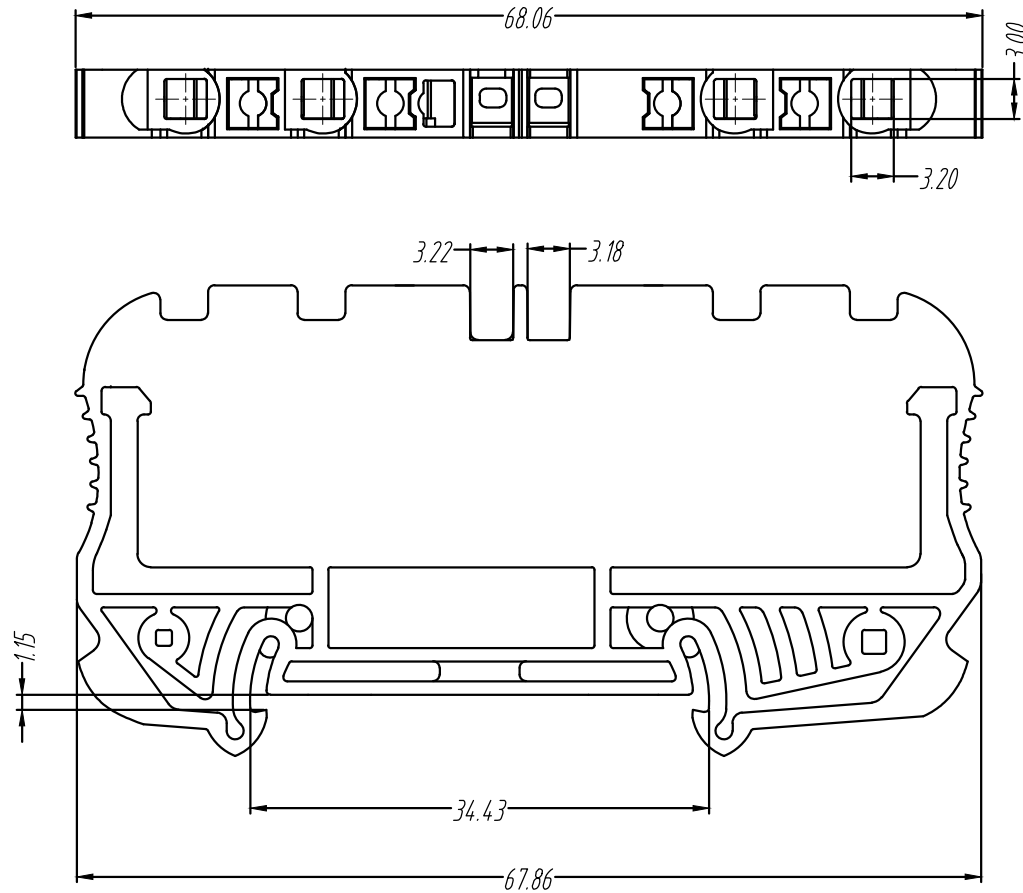


REVISION RECORD			
REV.	CONTENT	MOD.	DATE
△	初版发行		



NOTES:

Voltage Rating: 800V, Current Rating: 24A
 PITCH: 5.08mm
 Insulation Withstands Voltage: AC2500V/min
 Insulation Resistance: 500MΩ or more at DC500V
 Using Temperature Range: -60°C ~ +110°C
 Suitable Electric Wire: 24-12 AWG

技术要求:

1. 额定电压: 800V, 额定电流: 24A
2. 间距: 5.08mm
3. 耐电压值: AC2500V/min
4. 绝缘阻抗: 500MΩ / DC500V
5. 使用条件: -60° - +110°
6. 适用线规: 24-12 AWG

	pitch dimension			Nominal dimension					— /
	over 0 to 6	over 6 to 10	over 10 to 24	over 0 to 30	over 30 to 60	over 60 to 100	over 100 to 150	over 150	
variable range	0 to 6	6 to 10	10 to 24	0 to 30	30 to 60	60 to 100	100 to 150	150	□ ○
Tolerance	±0.1	±0.15	±0.25	±0.2	±0.3	±0.5	±0.7	±1.0	0.05/10

4	LD1-2.5弹片	6LD1B0001AV	4	SUS301	
3	LD1-2.5按钮	6LD1A400204V	4	PA66-V0	橘黄
2	UD2.5-4导电件	60UD4BDD024V	1	紫铜	镀亮锡
1	UD2.5-4主体	60UD4A10243V	1	PA66	灰色
NO.	NAME OF PART	NO. OF PART		MATERIAL	NOTES
DES.	WYY	DATE 2022/9/6	UNITS	mm	THIRD ANGLE PROJECTION
CHK.		DATE	SIZE	A4	⊕
APP.		DATE	SCALE	1:1	DWG NO. SP-1153A01
上海有乐电气有限公司 Shanghai YouLe Electric CO.,LTD				TITLE	UD2.5-4-110-00A
					UD2.5-4-110-00A产品