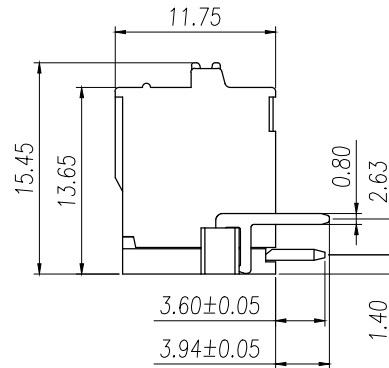
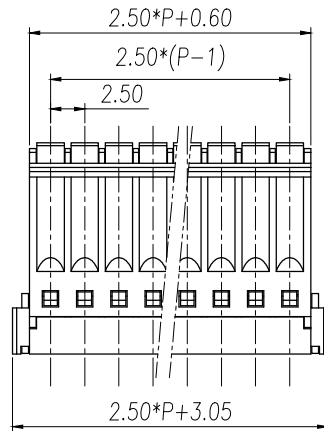
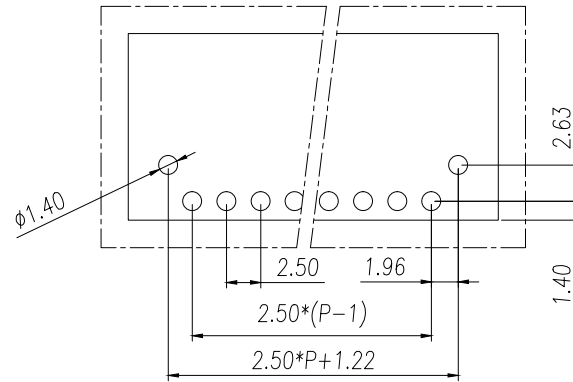
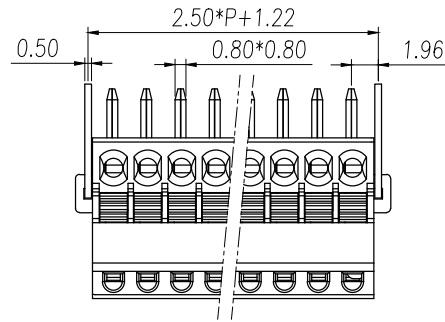



REVISION RECORD			
REV.	CONTENT	MOD.	DATE
△0	初版发行		



**NOTES:**  
 Pitch : 2.5mm  
 Rated Voltage : 150V  
 Rated Current : 4A  
 Withstand Voltage :  
 AC2000V for 1 minute  
 Insulation Resistance :  
 500MΩ / DC500V  
 Using Temperature Range :  
 -40℃ ~ +105℃  
 Wire range :24 ~20 AWG

**技术要求:**  
 间距: 2.5mm  
 额定电压: 150V  
 额定电流: 4A  
 耐电压值: AC2000V/min  
 绝缘阻抗: 500MΩ/DC500V  
 使用条件: -40℃~+105℃  
 适用线规: 24~20 AWG

	pitch dimension			Nominal dimension					— ▱ ⌒
	over 0	over 6	over 10	over 0	over 30	over 60	over 100	over 150	
variable range	to 6	to 10	to 24	to 30	to 60	to 100	to 150		
Tolerance	±0.1	±0.15	±0.25	±0.2	±0.3	±0.5	±0.7	±1.0	0.05/10

6	R3.81/3.5耳朵五金件	2079B0004AV	P	黄铜	镀亮锡
5	LS240V(R)-2.5五金件	2094B0001AV	P	磷青铜	镀亮锡
4	LC6-2.5-弹片	F2A0DLC625BV	p	不锈钢	
3	LC6-2.5-按钮	1023D0YXXAV	P	POM	
2	LS240V/R-2.5-盖板	2094C0YXXAV	1	PA66-V0	
1	LC6-2.5-本体	1023A0YXXAV	1	PA66-V0	
NO.	NAME OF PART	NO. OF PART	Q'TY	MATERIAL	NOTES
DES.	WY	DATE	2023/01/07	UNITS	MM
CHK.		DATE		SIZE	A4
APP.		DATE		SCALE	1:1
				DWG NO.	SP-1-2081140
				REV:	V0
 <b>上海有乐电气有限公司</b> Shanghai YouLe Electric Co., Ltd				TITLE	LS240R-2.5-XXP-1Y-00A
					LS240R-2.5-成品