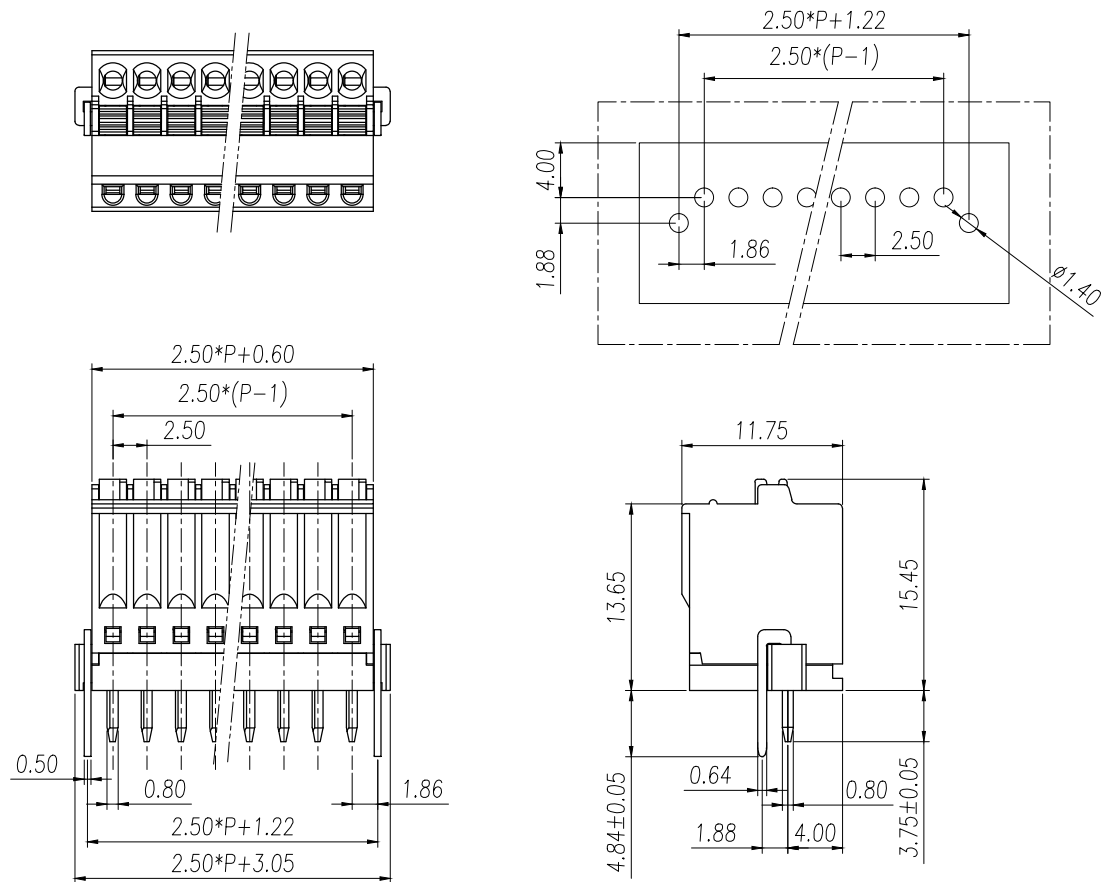


REVISION RECORD			
REV.	CONTENT	MOD.	DATE
①	初版发行		



NOTES:
 Pitch : 2.5mm
 Rated Voltage : 150 V
 Rated Current : 4A
 Withstand Voltage :
 AC2000V for 1 minute
 Insulation Resistance :
 500MΩ / DC500V
 Using Temperature Range :
 - 40°C ~ + 105°C
 Wire range :24 ~20 AWG

技术要求:
 间距: 2.5mm
 额定电压: 150V
 额定电流: 4A
 耐电压值: AC2000V/min
 绝缘阻抗: 500MΩ/DC500V
 使用条件: -40°C~+105°C
 适用线规: 24~20 AWG

	pitch dimension			Nominal dimension					— □ ⌒
	over 0	over 6	over 10	over 0	over 30	over 60	over 100	over 150	
variable range	to 6	to 10	to 24	to 30	to 60	to 100	to 150		
Tolerance	±0.1	±0.15	±0.25	±0.2	±0.3	±0.5	±0.7	±1.0	0.05/10

6	V3.81/3.5耳朵五金件	2079B0003AV	P	黄铜	镀亮锡	
5	LC60-2.5五金件	2090B0001AV	P	磷青铜	镀亮锡	
4	LC6-2.5-弹片	F2A0DLC625BV	p	不锈钢		
3	LC6-2.5-按钮	1023D0YXXAV	P	POM		
2	LS240V/R-2.5-盖板	2094C0YXXAV	1	PA66-V0		
1	LC6-2.5-本体	1023A0YXXAV	1	PA66-V0		
NO.	NAME OF PART		NO. OF PART	Q'TY	MATERIAL	NOTES
DES.	WY	DATE	2022/07/18	UNITS	MM	THIRD ANGLE PROJECTION SHEET
CHK.		DATE		SIZE	A4	⊕ 1 of 1
APP.		DATE		SCALE	1:1	DWG NO. SP-1-2081140 REV: V0
 上海有乐电气有限公司 Shanghai YouLe Electric Co., Ltd					TITLE	LS240V-2.5-XXP-1Y-00A
						LS240V-2.5-成品