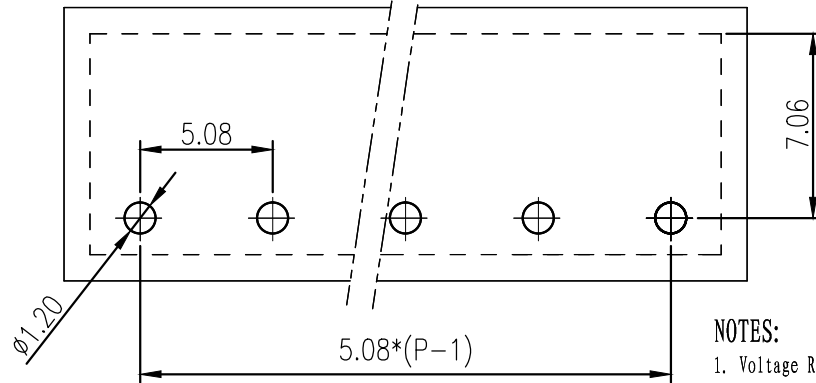
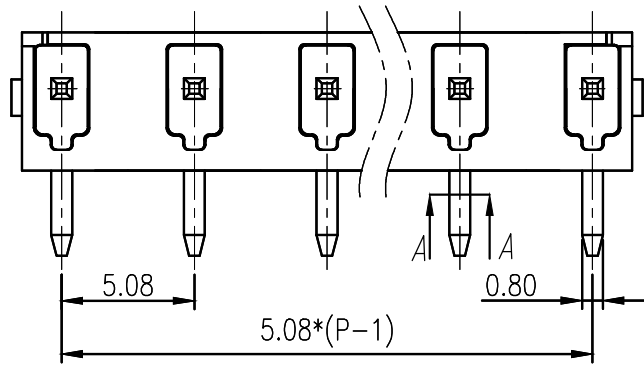


REVISION RECORD			
REV.	CONTENT	MOD.	DATE
△	初版发行		

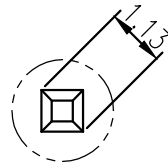
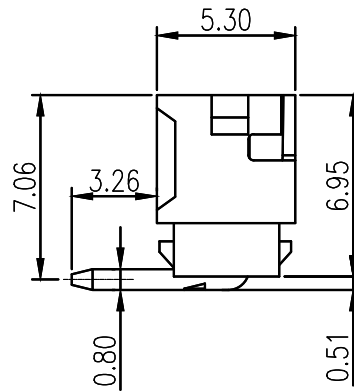
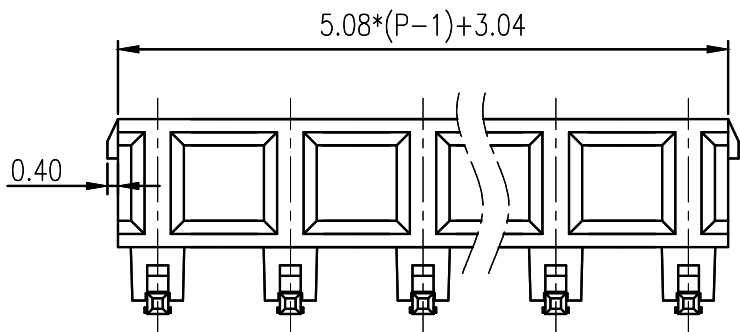


NOTES:

1. Voltage Rating: 300V, Current Rating: 6A
2. PITCH: 5.08mm
3. Insulation Withstands Voltage: AC2000V/min
4. Insulation Resistance: 2.0 MΩ or more at DC500V
5. Using Temperature Range: -40°C ~ +105°C
6. Suitable Electric Wire: 26-20AWG

技术要求:

1. 额定电压: 300V, 额定电流: 6A
2. 间距: 5.08mm
3. 耐电压值: AC 2000V/min
4. 绝缘阻抗 2.0兆欧
5. 使用条件: -40°C ~ +105°C
6. 适用线规: 26-20AWG



A-A 2:1

	pitch dimension			Nominal dimension					— /
	over 0	over 6	over 10	over 0	over 30	over 60	over 100	over 150	
variable range	to 6	to 10	to 24	to 30	to 60	to 100	to 150		
Tolerance	±0.1	±0.15	±0.25	±0.2	±0.3	±0.5	±0.7	±1.0	0.05/10

2	LZ1-2.54弯针	1003B0002AV	P	黄铜	镀雾锡
1	LZ8X-5.08主体	1200A0YXXAV	1	PA66	
NO.	NAME OF PART	NO. OF PART	Q'TY	MATERIAL	NOTES
DES.	WYY	DATE	22/10/29	UNITS	mm
CHK.		DATE		SIZE	A4
APP.		DATE		SCALE	1:1
				TITLE	LZ8XR-5.08-XXP-1Y-00A
					LZ8XR-5.08-成品