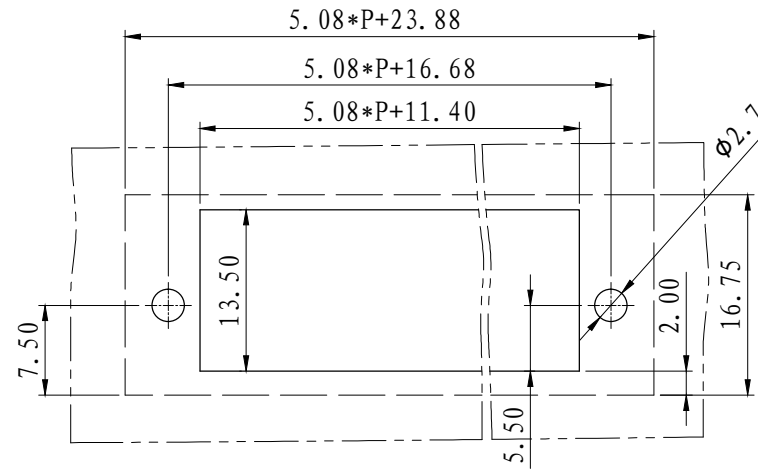
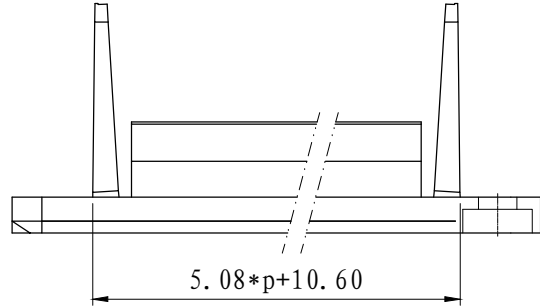
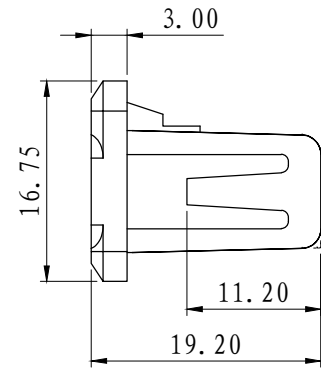
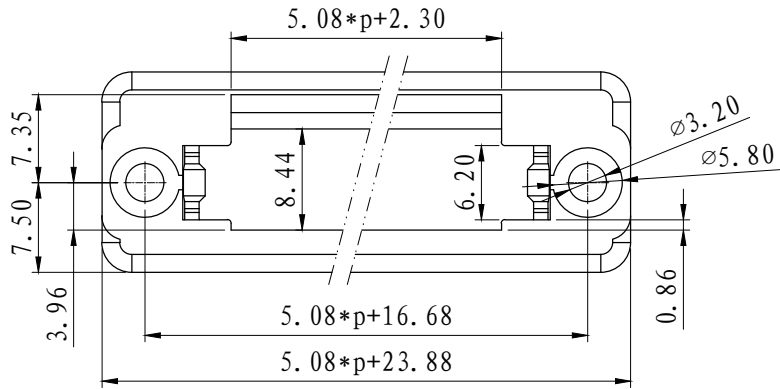


REVISION RECORD			
REV.	CONTENT	MOD.	DATE
△	初版发行		

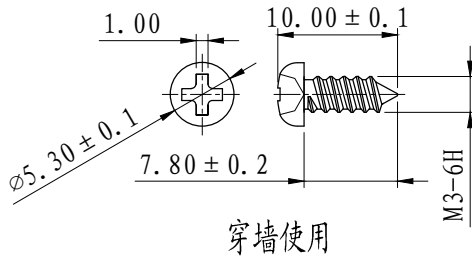


∅2.7 (自攻螺丝孔)  
∅3.20 (螺栓孔)



技术要求:

1. 避免色差, 明显变形和缩水现象
2. 最大允许毛刺量0.05mm
3. 与LC10MG-5.08的产品匹配



	pitch dimension			Nominal dimension					— ◇ ○						
	over 0 to 6	over 10 to 24	over 30 to 60	over 0 to 30	over 60 to 100	over 100 to 150	over 0 to 30	over 60 to 100		over 100 to 150					
variable range	0 to 6	10 to 24	30 to 60	0 to 30	60 to 100	100 to 150	±0.1	±0.15	±0.25	±0.2	±0.3	±0.5	±0.7	±1.0	0.05/10
Tolerance	±0.1	±0.15	±0.25	±0.2	±0.3	±0.5	±0.7	±1.0	0.05/10						

2	M3*8圆头自攻螺丝	SQZSC308001V	2	碳钢	三价铬钝化彩锌
1	LZ5X-5.08-主体	1018A0YXXAV	1	PA66-V0	
NO.	NAME OF PART	NO. OF PART	Q'TY	MATERIAL	NOTES
DES.	ARKINE	DATE	11/11/21	UNITS	MM
THIRD ANGLE PROJECTION					
CHK.	DATE	SIZE	A4	1 of 1	
APP.	DATE	SCALE	1:1	DWG NO.	SP-2-1018001
				REV:	V0
上海有乐电气有限公司 Shanghai YouLe Electric CO., LTD				TITLE	LZ5X-5.08-XXP-1Y-00A LZ5X-5.08-主体