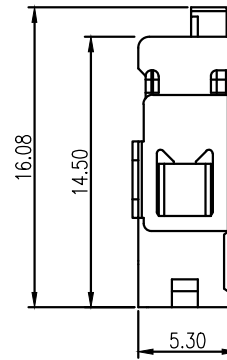
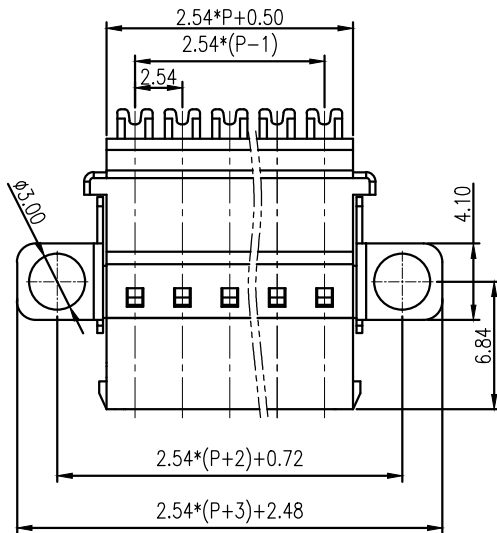
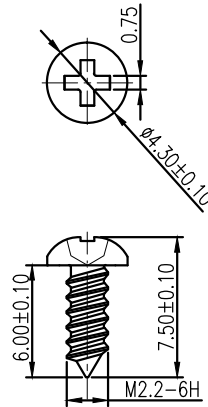
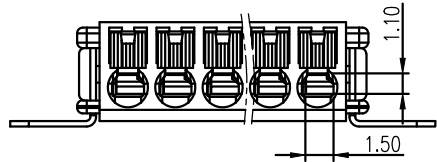


REVISION RECORD			
REV.	CONTENT	MOD.	DATE
△	初版发行		



NOTES:

1. Voltage Rating: 160V, Current Rating: 6A
2. PITCH: 2.54mm
3. Insulation Withstands Voltage: AC2000V/min
4. Insulation Resistance: 2.0 MΩ or more at DC500V
5. Using Temperature Range: -40°C ~ +105°C
6. Suitable Electric Wire: 26-20AWG

技术要求:

1. 额定电压: 160V, 额定电流: 6A
2. 间距: 2.54mm
3. 耐电压值: AC 2000V/min
4. 绝缘阻抗 2.0兆欧
5. 使用条件: -40°C ~ +105°C
6. 适用线规: 26-20AWG

	pitch dimension			Nominal dimension					— ◇ ○
	over 0	over 6	over 10	over 0	over 30	over 60	over 100	over 150	
variable range	to 6	to 10	to 24	to 30	to 60	to 100	to 150		
Tolerance	±0.1	±0.15	±0.25	±0.2	±0.3	±0.5	±0.7	±1.0	0.05/10

7	M2.2*6圆头自攻螺丝	SQZSA226509V	2	碳钢	蓝白锌
6	LC8N左右固定片	H1D0030025E1	1	不锈钢	
5	LC80针	1170B0001AV	P	磷青铜	镀亮锡
4	LC8-2.54弹片	1169B0002AV	P	不锈钢	
3	LC8按钮	1169D0Y01AV	P	POM	
2	LC80-2.54-F盖板	1258C0YXXAV-2	1	PA66	
1	LC8-2.54主体	1169A0YXXAV	1	PA66	
NO.	NAME OF PART	NO. OF PART	Q'TY	MATERIAL	NOTES
DES.	吴央阳	DATE	24/02/21	UNITS	mm
CHK.	张华丰	DATE	24/02/21	SIZE	A4
APP.		DATE		SCALE	1:1
				DWG NO.	SP-2-1169002
				REV:	V0
上海有乐电气有限公司 Shanghai YouLe Electric CO.,LTD				TITLE	LC80N-2.54-XXP-1Y-00F
					LC80N-2.54-成品