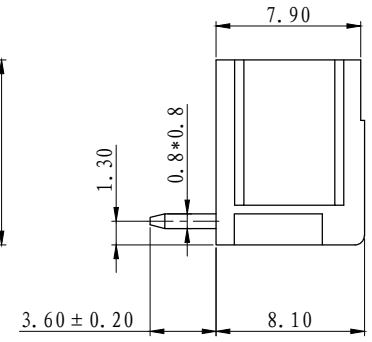
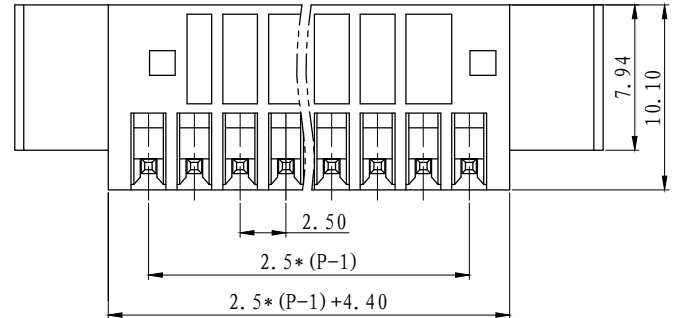
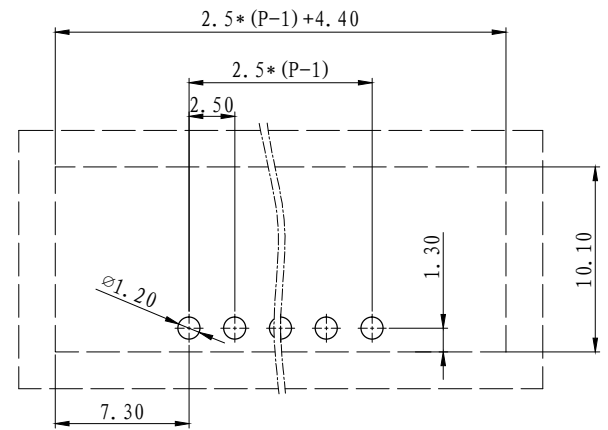
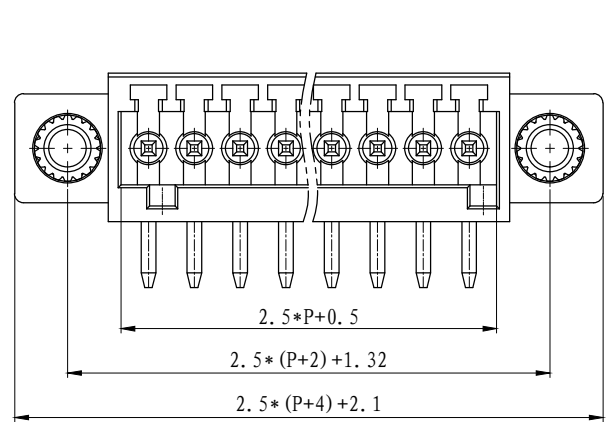
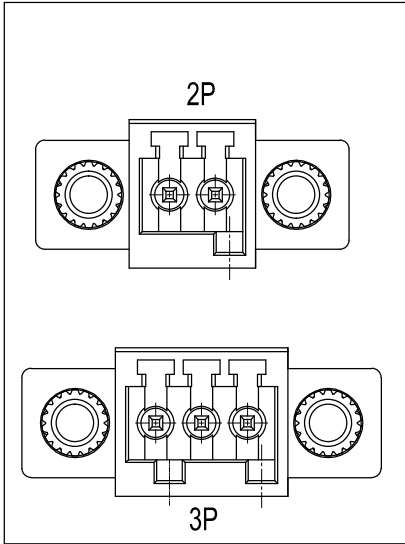


REVISION RECORD			
REV.	CONTENT	MOD.	DATE
△	初版发行		



NOTES:  
 Pitch : 2.5mm  
 Rated Voltage : 150V  
 Rated Current : 4 A  
 Withstand Voltage :  
 AC2000V for 1 minute  
 Using Temperature Range :  
 - 40 °C ~ + 105 °C

技术要求:  
 间距: 2.5mm  
 额定电压: 150V  
 额定电流: 4A  
 耐电压值: AC2000V/min  
 使用条件: -40°C ~ +105°C

	pitch dimension			Nominal dimension					— ◇ ○
	over 0	over 6	over 10	over 0	over 30	over 60	over 100	over 150	
variable range	to 6	to 10	to 24	to 30	to 60	to 100	to 150		
Tolerance	±0.1	±0.15	±0.25	±0.2	±0.3	±0.5	±0.7	±1.0	0.05/10

3	LZ1-耳朵螺母	SM00B250000V	2	黄铜	
2	LZ1-2.5-弯针	1003B0002AV	P	黄铜	镀锡
1	LZ1M-2.5-主体	1037M0YXXAV	1	PA66	
NO.	NAME OF PART	NO. OF PART	Q'TY	MATERIAL	NOTES
DES.	陈明珠	DATE 2024-06-04	UNITS mm	THIRD ANGLE PROJECT	
CHK.		DATE	SIZE A4	1 of 1	
APP.		DATE	SCALE 1:1	DWG NO.	SP-1-1037A02 REV: V0
上海有乐电气有限公司 Shanghai YouLe Electric CO.,LTD				TITLE	LZ1RM-2.5-成品
				LZ1RM-2.5-成品	