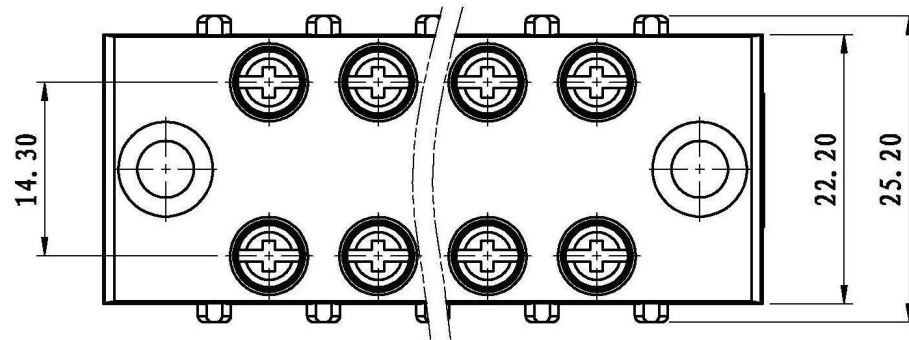
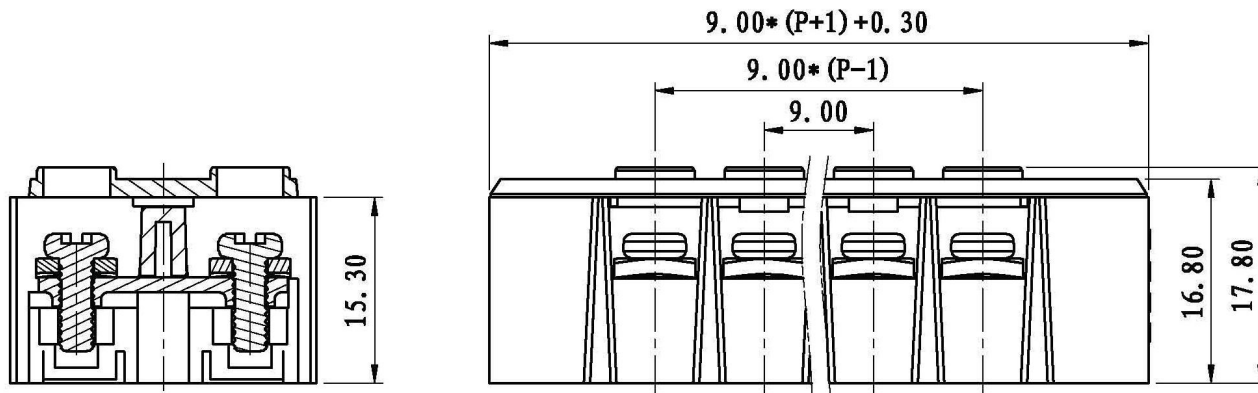


REVISION RECORD			
REV.	CONTENT	MOD.	DATE
△	初版发行	更改人	日期



技术要求:
 极数: 组装
 额定电压: 600V
 额定电流: 15A
 螺钉类型/扭力: M3/0.6-0.8
 绝缘材料类型: PC
 阻燃等级: V1
 刚柔性导线: 1.5mm²



TOLERANCES EXCEPT AS NOTED

	linear dimension				fillet	chamfer	∠ short angle sid				≡	—	□	//	⊥	
	to	over	over	over			to	to	to	to						to
variable range	to 6	over 30	over 120	over 480	all	to 6	to 10	to 50	to 120	all	to 5	to 30	to 120			
tolerance	±0.1	±0.2	±0.3	±0.5	±0.2	±0.5	±1	1'	30'	20'	10'	0.3	0.025	0.06	0.12	0.4

4	TB1-15A-螺丝	SSD0300040V	P	黄铜	镀锌
3	TB1-15A-导电件	M003B00010V	P	黄铜	镀锌
2	TB1-15A-盖子	6088C7001AV	1	PC	透明
1	TB1-15A-本体	6088A3001AV	1	PC	黑色
NO.	NAME OF PART	NO. OF PART	Q'TY	MATERIAL	NOTES
DES.	LDD	DATE	2012/07/03	UNITS	mm
CHK.	DATE	SIZE	A4	THIRD ANGLE PROJECTION	SHEET
APP.	DATE	SCALE		DWG NO.	of
上海有乐电气有限公司 Shanghai YouLe Electric C O., LTD				TITLE	TB1-15A-XX-130-00A TB1-15A-成品