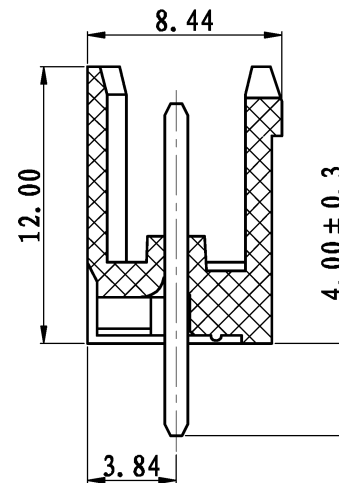
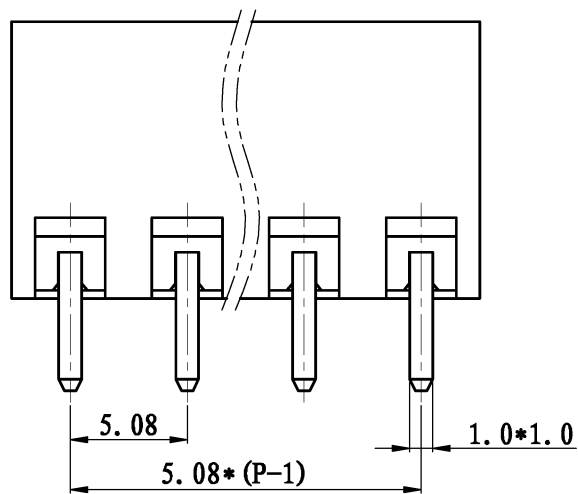
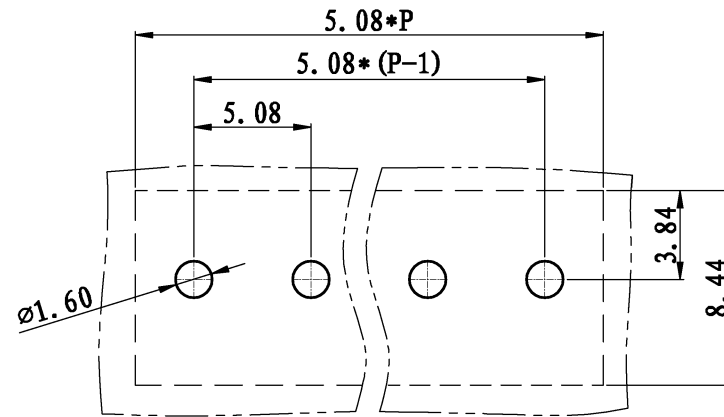
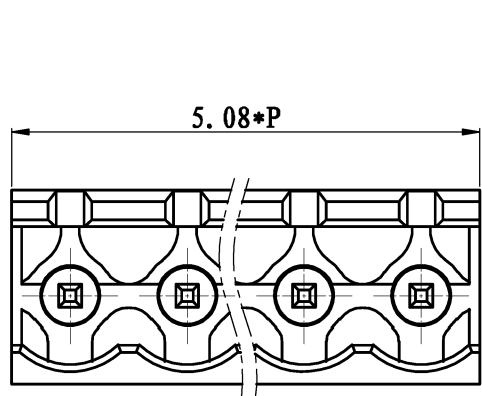


REVISION RECORD			
REV.	CONTENT	MOD.	DATE
△	初版发行		



NOTES:
Pitch : 5.08mm
Rated Voltage : 300V
Rated Current : 15A
Withstand Voltage :
AC2500V for 1 minute
Insulation Resistance :
5MΩ / DC500V
Using Temperature Range :
- 40℃ ~ + 105℃

技术要求:
间距: 5.08mm
额定电压: 300V
额定电流: 15A
耐电压值: AC2500V/min
绝缘阻抗: 5MΩ/DC500V
使用条件: -40℃~+105℃

	pitch dimension			Nominal dimension					—
	over 0	over 6	over 10	over 0	over 30	over 60	over 100	over 150	
variable range	to 6	to 10	to 24	to 30	to 60	to 100	to 150		□
Tolerance	±0.1	±0.15	±0.25	±0.2	±0.3	±0.5	±0.7	±1.0	○

2	LZ1-5.08-直针(1.2)	1015B0002AV	P	黄铜	镀雾锡
1	LZ1K-5.08-本体	1015K0YXXAV	1	PA66	
NO.	NAME OF PART	NO. OF PART	Q'TY	MATERIAL	NOTES
DES.	ARKINE	DATE	2010/5/20	UNITS	MM
CHK.	DATE	SIZE	A4	THIRD ANGLE PROJECTION	
APP.	DATE	SCALE	1:1	DWC NO.	SP-2-1015005
上海有乐电气有限公司 Shanghai YouLe Electric Co., LTD				TITLE	LZ1VK-5.08-XP-1Y-00A LZ1VK-5.08-成品
				SHEET	1 of 1
				REV:	T0