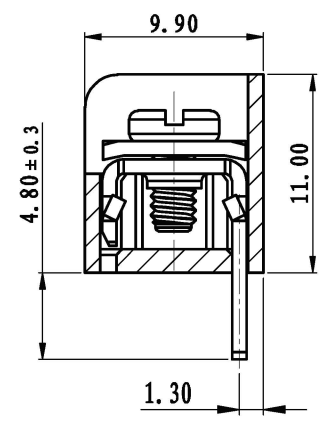
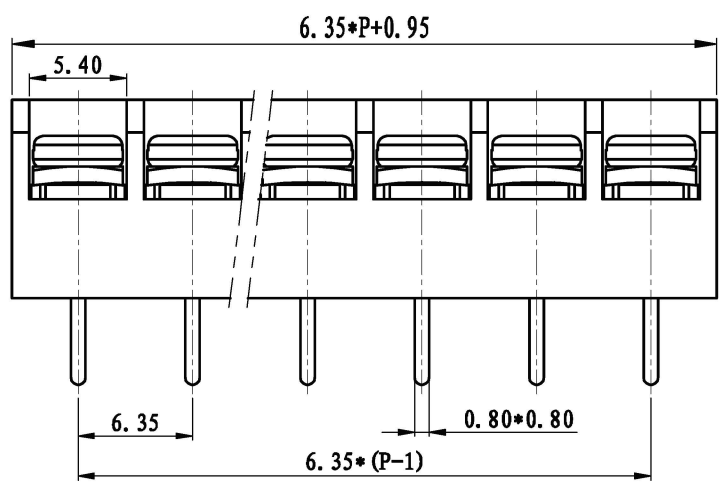
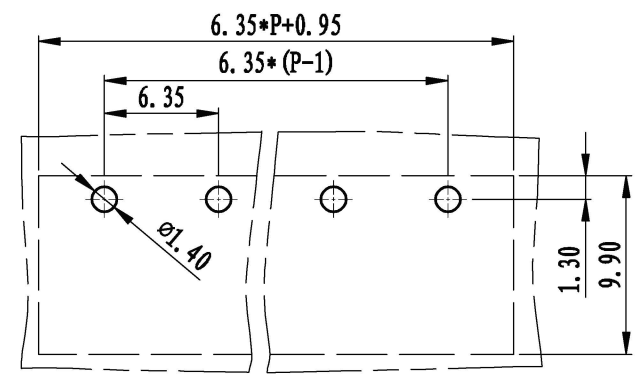
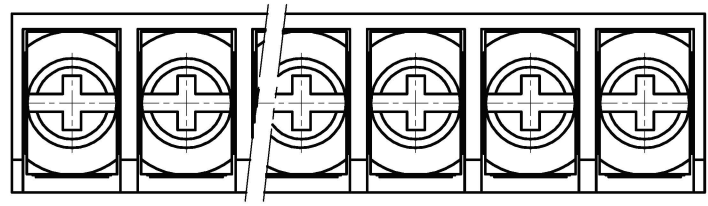


REVISION		RECORD	
REV.	CONTENT	MOD.	DATE
0	初版发行		



NOTES:
 Pitch : 6.35mm
 Rated Voltage : 300V
 Rated Current : 15A
 Withstand Voltage :
 AC2500V for 1 minute
 Insulation Resistance :
 500MΩ / DC500V
 Using Temperature Range :
 -40℃ ~ +130℃
 Wire range : 22~14 AWG
 Screw Torque Value : 0.4Nm

技术要求:
 间距: 6.35mm
 额定电压: 300V
 额定电流: 15A
 耐电压值: AC2500V/min
 绝缘阻抗: 500MΩ/DC500V
 使用条件: -40℃~+130℃
 适用线规: 22~14 AWG
 螺丝扭矩: 0.4Nm

	pitch dimension			Nominal dimension					— /
	over 0	over 6	over 10	over 0	over 30	over 60	over 100	over 150	
variable range	to 6	to 10	to 24	to 30	to 60	to 100	to 150		
Tolerance	±0.1	±0.15	±0.25	±0.2	±0.3	±0.5	±0.7	±1.0	0.05/10

3	M2.5*5-5.2*5.2	SPFFA2550A1V	P	碳钢	三价铬钝化彩锌			
2	LW3-6.35-焊脚	5016B0001AV	P	黄铜	镀雾锡			
1	LW3-6.35-本体	5016A0YXXAV	1	PBT				
NO.	NAME OF PART	NO. OF PART	Q'TY	MATERIAL	NOTES			
DES.	ARKINE	DATE	11-06-20	UNITS	MM	THIRD ANGLE PROJECTION	SHEET	
CHK.		DATE		SIZE	A4		1 of 1	
APP.		DATE		SCALE	1:1	DWG NO.	SP-2-5016004	REV: V0
上海有乐电气有限公司 Shanghai YouLe Electric C O., LTD						TITLE	LW3B-6.35-XP-1Y-00A	
							LW3B-6.35-成品	