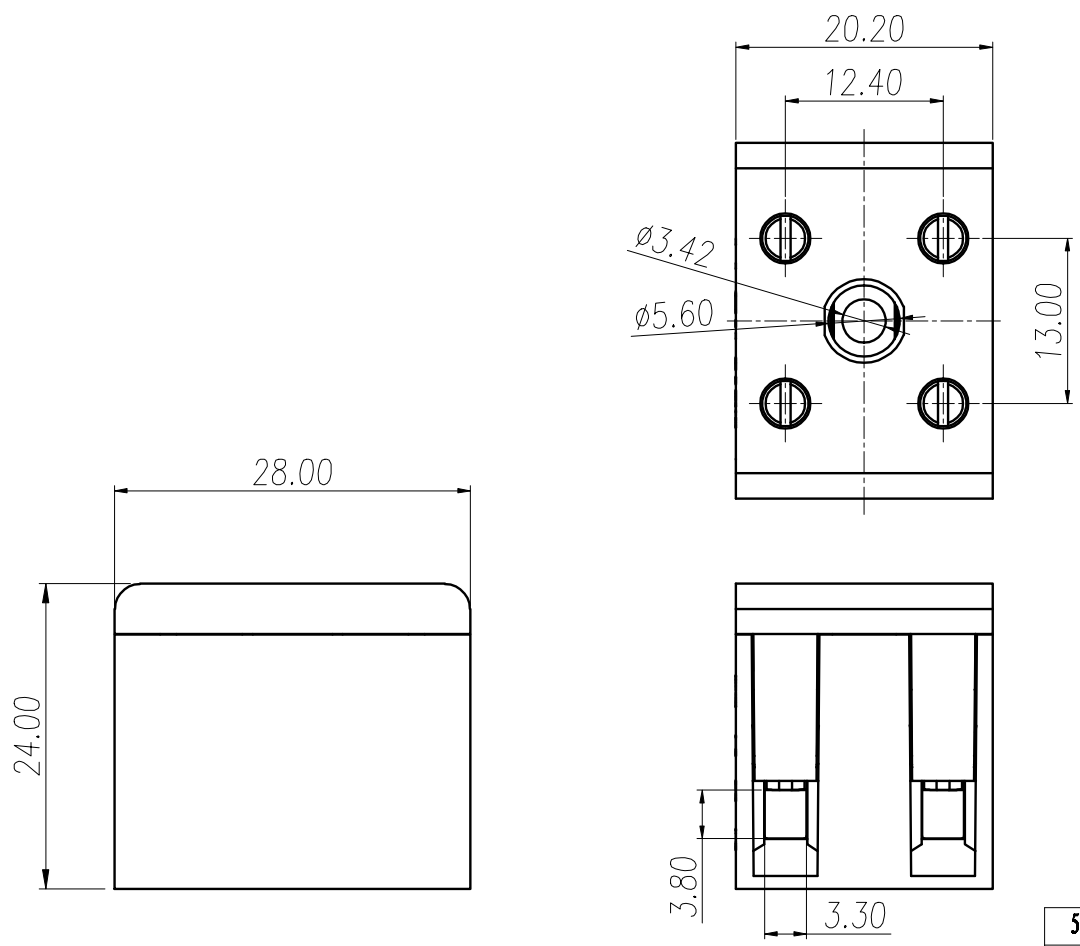


REVISION RECORD			
REV.	CONTENT	MOD.	DATE
△	初版发行		



技术要求:
极数: 组装
额定电压: 600V
额定电流: 20-41A
螺钉类型/扭力: M3/0.6N.m
绝缘材料类型: PA66
阻燃等级: V0
线径: 0.2-4mm²

	pitch dimension			Nominal dimension					—
	over 0	over 6	over 10	over 0	over 30	over 60	over 100	over 150	
variable range	to 6	to 10	to 24	to 30	to 60	to 100	to 150		▱
Tolerance	±0.1	±0.15	±0.25	±0.2	±0.3	±0.5	±0.7	±1.0	⌒

5	H3803导电件	6H38B00041AV	2	紫铜		
4	UK5N-铜方块	F000000140V	4	黄铜		
3	UK2.5B-螺丝	SSM0300070V	4	合金铜	镀锌	
2	H3803-C盖板	4024C4002AV	1	PA66-V0		
1	H3803-C本体	4024A4002AV	1	PA66-V0		
NO.	NAME OF PART		NO. OF PART	Q'TY	MATERIAL	NOTES
DES.	HH	DATE	2019/09/29	UNITS	MM	THIRD ANGLE PROJECTION
CHK.		DATE		SIZE	A4	1 of 1
APP.		DATE		SCALE	1:1	DWG NO. SP-1-H380350 REV: V0
上海有乐电气有限公司 Shanghai YouLe Electric Co., LTD					TITLE	H3803-C-2P-1Y-00A
						H3803-C成品