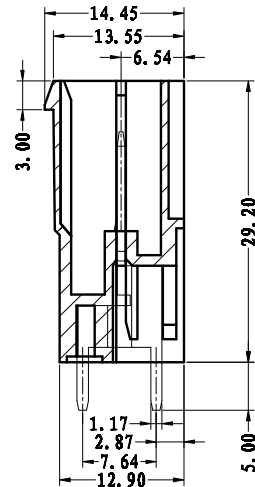
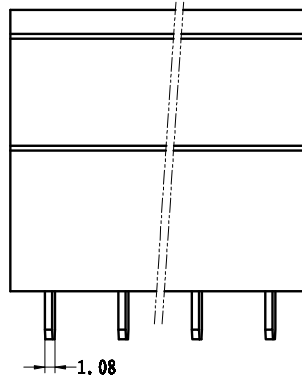
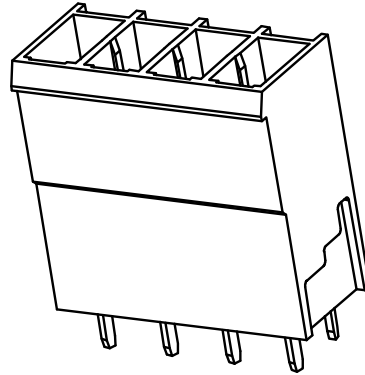
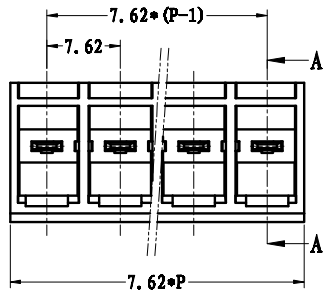


REVISION RECORD			
REV.	CONTENT	MOD.	DATE
0	初版发行		



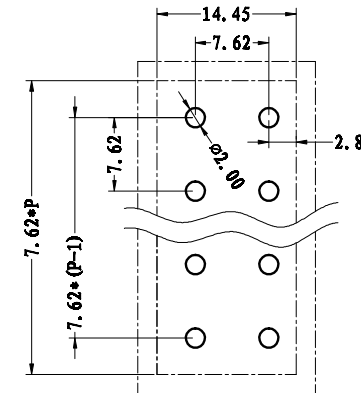
SECTION A-A

NOTES:

1. Voltage Rating: 400V, Current Rating:30A
2. PITCH: 7.62mm
3. Insulation Withstands Voltage: AC2500V/min
4. Insulation Resistance:500MΩ or more at DC500V
5. Using Temperature Range:-40° C ~ +105° C
6. Pole:2-12P

技术要求:

1. 额定电压: 400V, 额定电流: 30A
2. 间距: 7.62mm
3. 耐电压值: AC2500V/min
4. 绝缘阻抗: 500MΩ / DC500V
5. 使用条件: -40° - +105°
6. 极数: 2-12线



2	LZ1VH-7.62-直针	1154B0001AV	P	黄铜	镀雾锡
1	LZ1H-7.62-针套	1154H0VXXAV	1	PA66-VO	
NO.	NAME OF PART	NO. OF PART	Q' TY	MATERIAL	NOTES
DES.	WY	DATE	2018-04-20	UNITS	MM
CHK.		DATE		SIZE	A4
APP.		DATE		SCALE	1:1
				DWG NO.	SP-2-1048002
<b>上海有乐电气有限公司</b> Shanghai YouLe Electric Co.,LTD				TITLE	LZ1VH-7.62-XP-1Y-00A LZ1VH-7.62-成品

	pitch dimension			Nominal dimension					— ◇ ⌒
	over 0	over 6	over 10	over 0	over 30	over 60	over 100	over 150	
variable range	to 6	to 10	to 24	to 30	to 60	to 100	to 150		
Tolerance	±0.1	±0.15	±0.25	±0.2	±0.3	±0.5	±0.7	±1.0	0.05/10