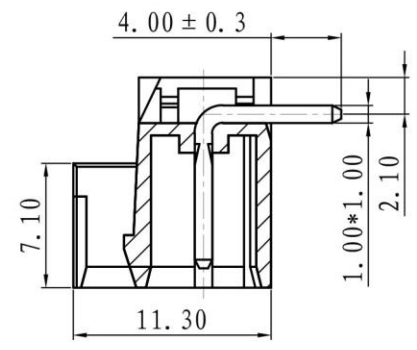
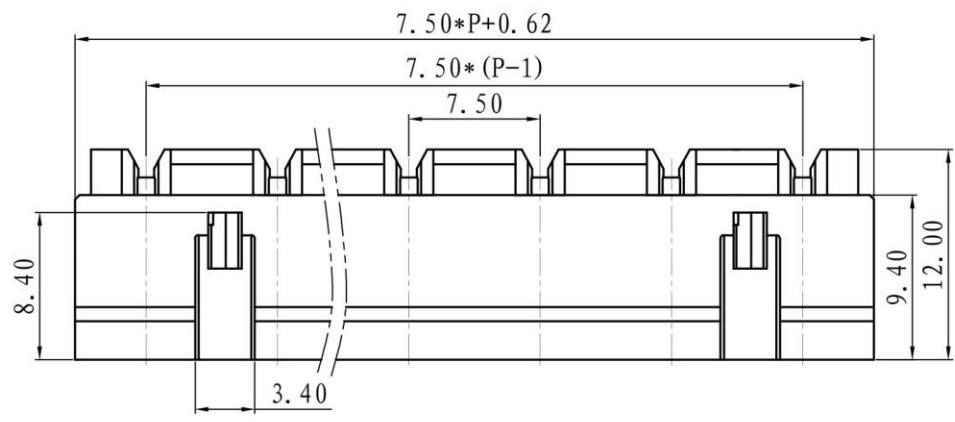
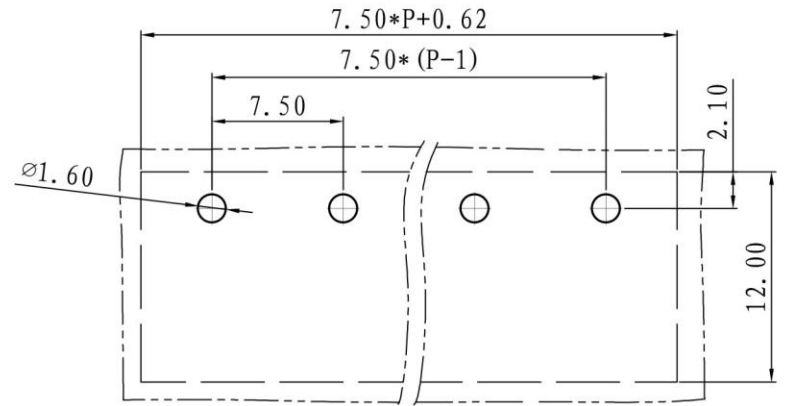
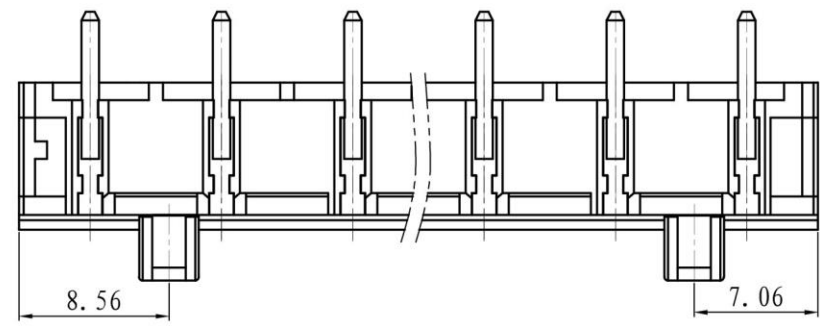


| REVISION RECORD | | | |
|-----------------|---------|------|------|
| REV. | CONTENT | MOD. | DATE |
| △ | 初版发行 | | |



NOTES:

1. Voltage Rating: 300V, Current Rating: 15A
2. PITCH: 7.5mm
3. Insulation Withstands Voltage: AC2500V/min
4. Using Temperature Range: -40°C- +105°C
5. Pole: 2-12P

技术要求:

1. 额定电压: 300V, 额定电流: 15A
2. 间距: 7.5mm
3. 耐电压值: AC 2500V/min
4. 使用条件: -40°C- +105°C
5. 极数: 2-12P

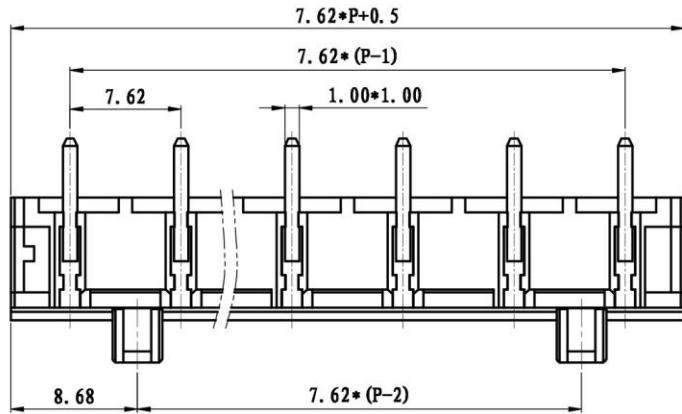
SECTION A-A

| | pitch dimension | | | Nominal dimension | | | | | — |
|----------------|-----------------|--------|---------|-------------------|---------|---------|----------|----------|---------|
| | over 0 | over 6 | over 10 | over 0 | over 30 | over 60 | over 100 | over 150 | |
| variable range | to 6 | to 10 | to 24 | to 30 | to 60 | to 100 | to 150 | | ◇ |
| Tolerance | ±0.1 | ±0.15 | ±0.25 | ±0.2 | ±0.3 | ±0.5 | ±0.7 | ±1.0 | 0.05/10 |

| 2 | LSZ1-5.08-弯针 | 1055B0002AV | P | 黄铜 | 镀雾锡 |
|------|--------------|-------------|------------|----------|---------------|
| 1 | LSZ1B-7.5-主体 | 1093A0YXXAV | 1 | PA66 | |
| NO. | NAME OF PART | NO. OF PART | Q'TY | MATERIAL | NOTES |
| DES. | LDD | DATE | 2012/08/15 | UNITS | mm |
| CHK. | | DATE | | SIZE | A4 |
| APP. | | DATE | | SCALE | 1: 1 |
| | | | | DWG NO. | SP-1-1093A02 |
| | | | | REV: | V0 |
| | | | | TITLE | LSZ1BR-7.5-成品 |

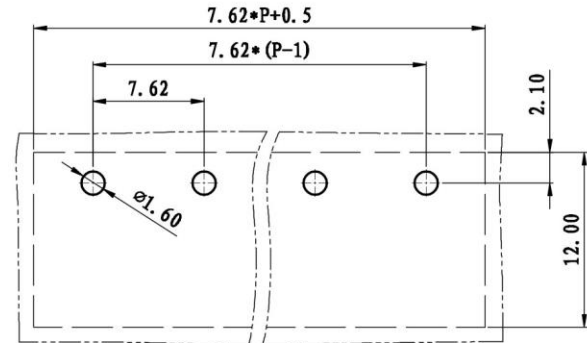
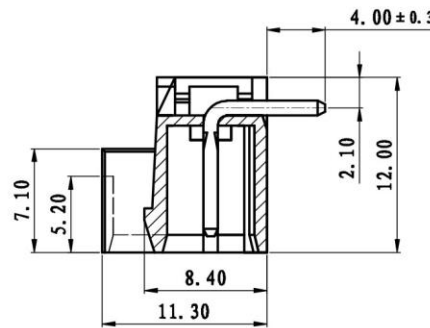
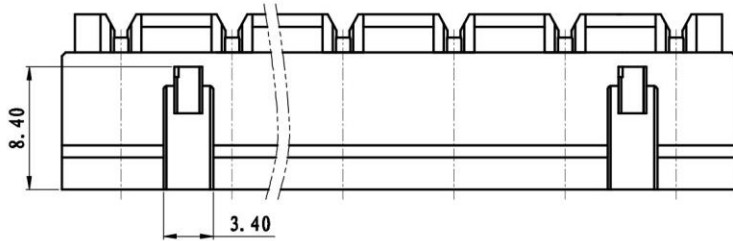
上海有乐电气有限公司
Shanghai YouLe Electric CO.,LTD

| REVISION RECORD | | | |
|-----------------|---------|------|------|
| REV. | CONTENT | MOD. | DATE |
| 1 | 初版发行 | | |



NOTES:
 Pitch : 7.62mm
 Rated Voltage : 300 V
 Rated Current : 15 A
 Withstand Voltage :
 AC2500V for 1 minute
 Insulation Resistance :
 500MΩ / DC500V
 Using Temperature Range :
 -40℃ ~ +105℃

技术要求:
 间距: 7.62mm
 额定电压: 300V
 额定电流: 15A
 耐电压值: AC2500V/min
 绝缘阻抗: 500MΩ/DC500V
 使用条件: -40℃~+105℃



| | pitch dimension | | | Nominal dimension | | | | | — |
|-----------|-----------------|-------|-------|-------------------|------|------|------|------|---------|
| | over | over | over | over | over | over | over | over | |
| variable | 0 | 6 | 10 | 0 | 30 | 60 | 100 | 150 | □ |
| range | to | to | to | to | to | to | to | to | |
| | 6 | 10 | 24 | 30 | 60 | 100 | 150 | | ○ |
| Tolerance | ±0.1 | ±0.15 | ±0.25 | ±0.2 | ±0.3 | ±0.5 | ±0.7 | ±1.0 | 0.05/10 |

| 2 | LZ1-5.08-弯针(1.3) | 1015B0008AV | P | 黄铜 | 镀雾锡 |
|---|------------------|-------------|------------|--|--------------|
| 1 | LSZ1B-7.62-主体 | 1102A0YXXAV | 1 | PA66 | |
| NO. | NAME OF PART | NO. OF PART | QTY | MATERIAL | NOTES |
| DES. | LDD | DATE | 2012/08/15 | UNITS | mm |
| CHK. | | DATE | | SIZE | A4 |
| APP. | | DATE | | SCALE | 1:1 |
| | | | | DWG NO. | SP-2-1102002 |
| | | | | REV: | V0 |
| 上海有乐电气有限公司 Shanghai YouLe Electric CO.,LTD | | | | TITLE | |
| | | | | LSZ1BR-7.62-XXP-1Y-00A LSZ1BR-7.62-成品 | |