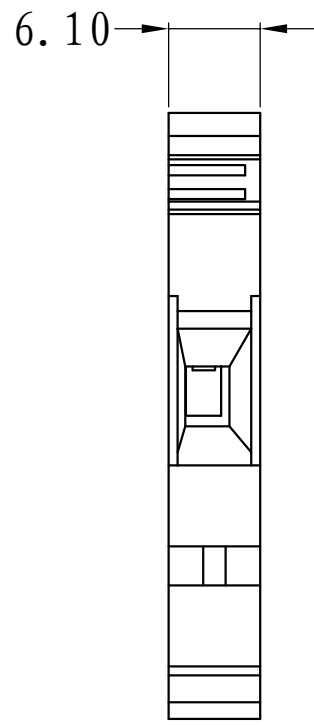
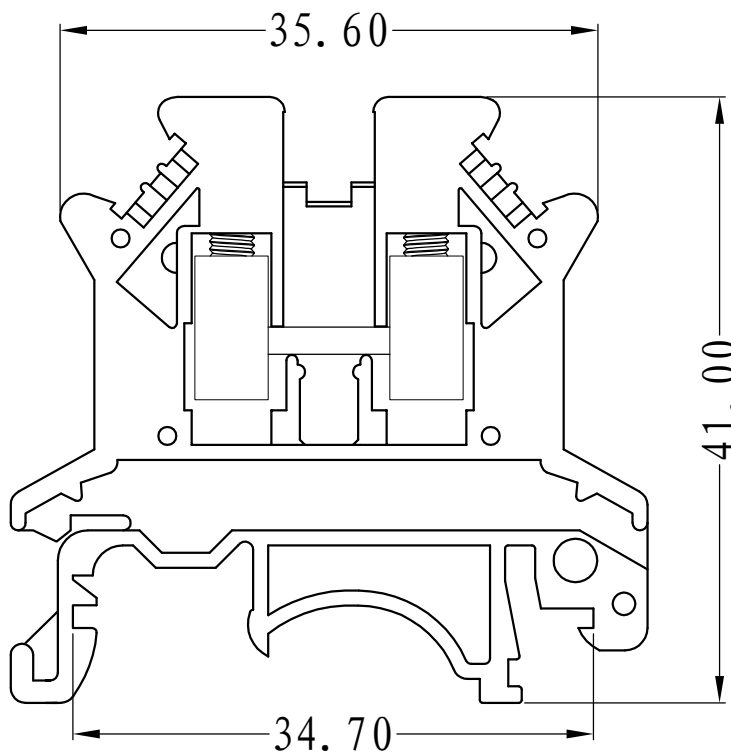
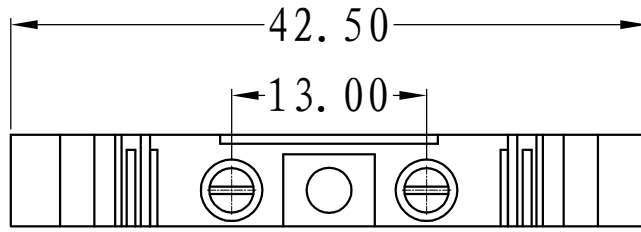


REV.	CONTENT	MOD.	DATE



技术要求:
 极数: 组装
 额定电压: 690V
 额定电流: 32A
 螺钉类型/扭力: M3/0.6-0.8
 绝缘材料类型: PA66
 阻燃等级: V0
 刚柔性导线: 0.2-4/0.2-2.5mm²

	pitch dimension			Nominal dimension					—
	over 0	over 6	over 10	over 0	over 30	over 60	over 100	over 150	
variable range	to 6	to 10	to 24	to 30	to 60	to 100	to 150		
Tolerance	±0.1	±0.15	±0.25	±0.2	±0.3	±0.5	±0.7	±1.0	

4	UK2.5B-螺丝	SSM0300070V	2	碳钢	镀锌
3	UK2.5B-铜方块	F000000140V	2	黄铜	镀镍
2	UK2.5B-导电件	6005B00010V	1	黄铜	镀镍
1	UK2.5B-本体	6005A1001AV	1	PA	灰色
NO.	NAME OF PART	NO. OF PART	QTY	MATERIAL	NOTES
DES.	LDD	DATE	2012/05/25	UNITS	mm
CHK.		DATE		SIZE	A4
APP.		DATE		SCALE	1:1
				DWG NO.	SP-2-6005001
				REV:	TC
				TITLE	UK2.5B-110-00A
					UK2.5B-成品