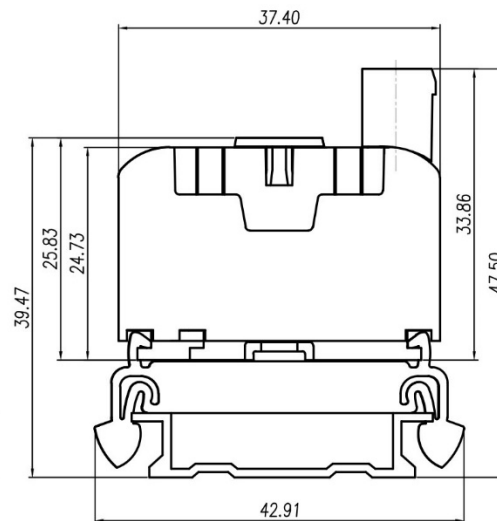
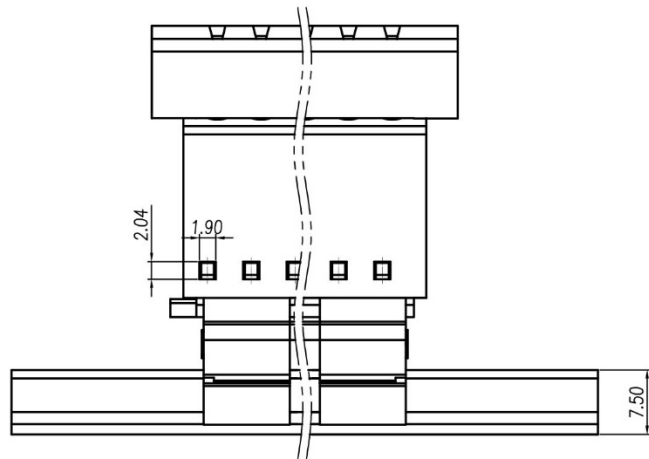
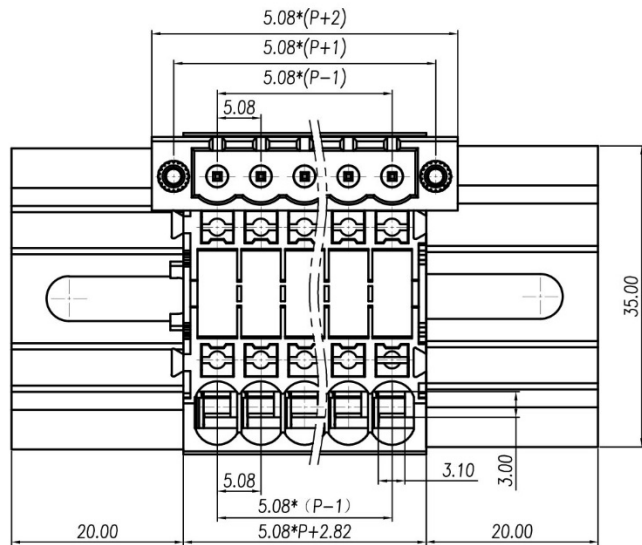


REVISION		RECORD	
REV.	CONTENT	MOD.	DATE
△	初版发行		



**NOTES:**

Pitch : 5.08mm  
 Rated Voltage : 300V  
 Rated Current : 15A  
 Withstand Voltage :  
 AC2500V for 1 minute  
 Insulation Resistance :  
 500MΩ / DC500V  
 Using Temperature Range :  
 - 40℃ ~ + 105℃

**技术要求:**

间距: 5.08mm  
 额定电压: 300V  
 额定电流: 15A  
 耐电压值: AC2500V/min  
 绝缘阻抗: 500MΩ/DC500V  
 使用条件: -40℃~+105℃

	pitch dimension			Nominal dimension					—
	over 0	over 6	over 10	over 0	over 30	over 60	over 100	over 150	
variable range	to 6	to 10	to 24	to 30	to 60	to 100	to 150		▱
Tolerance	±0.1	±0.15	±0.25	±0.2	±0.3	±0.5	±0.7	±1.0	○

10	ZBD5-XXP标记号	ZBD5-XXP	1	PA66-V0			
9	JHY1-DG-L/1米	DGJHYAL5200V	1	铝			
8	KJ-32卡脚	6TB1J400253V	2	PA66	绿色		
7	LD1-2.5-弹片	6LD1B0001AV	2P	SUS301			
6	LD1-2.5-导电件	6LD1B0002AV	P	紫铜	镀雾锡		
5	LD1-2.5-按钮	6LD1A400204V	2P	PBT	橘黄		
4	LD1-2.5-XX壳体	6LD1C400203V	1	PA66-V0	绿色		
3	LD1-2.5-主体	6LD1A400203V	1	PA66-V0	绿色		
2	LZ3H-5.08-直针	1031B0002AV	P	黄铜	镀雾锡		
1	LZ7M-5.08-主体	1182MOYXXAV	1	PA66			
NO.	NAME OF PART	NO. OF PART	Q'TY	MATERIAL	NOTES		
DES.	ZJL	DATE	2022/8/3	UNITS	MM	THIRD ANGLE PROJECTION	SHEET
CHK.		DATE		SIZE	A4	☉	1 of 1
APP.		DATE		SCALE	1:1	DWG NO.	SP-1153A01 REV:V0
 上海有乐电气有限公司 Shanghai YouLe Electric CO., LTD				TITLE	LD72K-5.08-XXP-1Y-00A LD72K-5.08-成品		