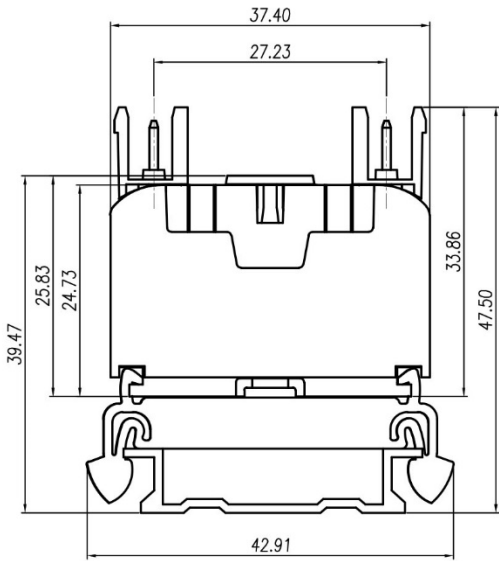
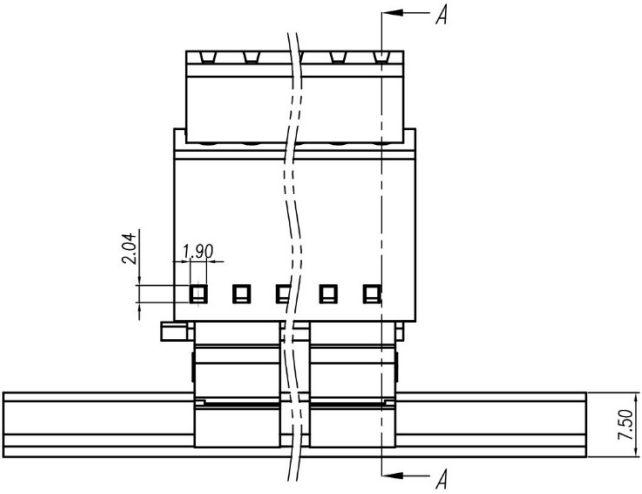
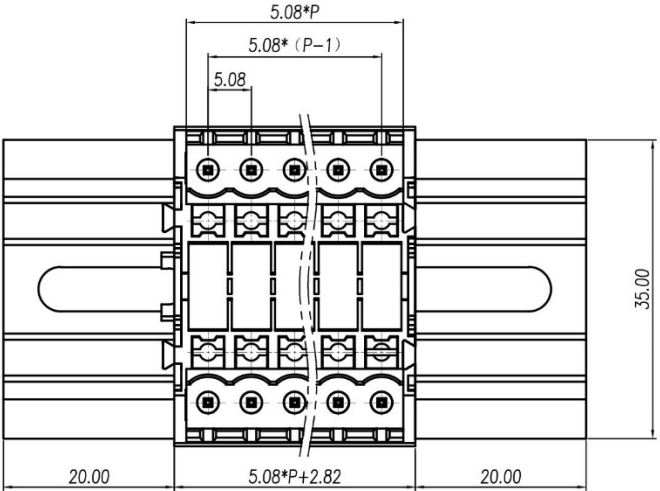


REVISION RECORD			
REV.	CONTENT	MOD.	DATE
△	初版发行		



**NOTES:**  
 Pitch : 5.08mm  
 Rated Voltage : 300V  
 Rated Current : 15A  
 Withstand Voltage :  
 AC2500V for 1 minute  
 Insulation Resistance :  
 500MΩ / DC500V  
 Using Temperature Range :  
 - 40℃ ~ + 105℃

**技术要求:**  
 间距: 5.08mm  
 额定电压: 300V  
 额定电流: 15A  
 耐电压值: AC2500V/min  
 绝缘阻抗: 500MΩ/DC500V  
 使用条件: -40℃~+105℃

	pitch dimension			Nominal dimension					—
	over 0	over 6	over 10	over 0	over 30	over 60	over 100	over 150	
variable range	to 6	to 10	to 24	to 30	to 60	to 100	to 150		◇
Tolerance	±0.1	±0.15	±0.25	±0.2	±0.3	±0.5	±0.7	±1.0	0.05/10

10	ZBD5-XXP标记号	ZBD5-XXP	1	PA66-V0	
9	JHY1-DG-L/1米	DG,JHYAL5200V	1	铝	
8	KJ-32卡脚	6TB1J400253V	2	PA66	绿色
7	LD1-2.5-弹片	6LD1B0001AV	2P	SUS301	
6	LD1-2.5-导电件	6LD1B0002AV	P	紫铜	镀雾锡
5	LD1-2.5-按钮	6LD1A400204V	2P	PBT	橘黄
4	LD1-2.5-XX壳体	6LD1C400203V	1	PA66-V0	绿色
3	LD1-2.5-主体	6LD1A400203V	1	PA66-V0	绿色
2	LZ3H-5.08-直针	1031B0002AV	2P	黄铜	镀雾锡
1	LZ7K-5.08主体	1182KOYXXAV	2	PA66	
NO.	NAME OF PART	NO. OF PART	Q'TY	MATERIAL	NOTES
DES.	ZJL	DATE	2022/8/3	UNITS	MM
CHK.	DATE		SIZE	A4	THIRD ANGLE PROJECTION
APP.	DATE		SCALE	1:1	DWG NO.
					SP-1153A01
					REV:VO

 上海有乐电气有限公司  
 Shanghai YouLe Electric CO.,LTD

TITLE LD711K-5.08-XXP-1Y-00A  
 LD711K-5.08-成品