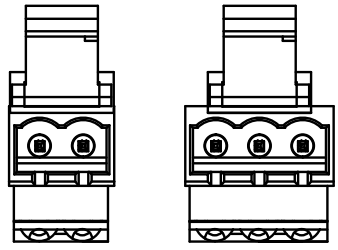
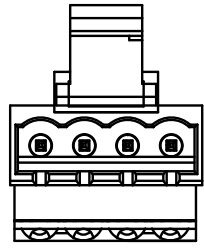


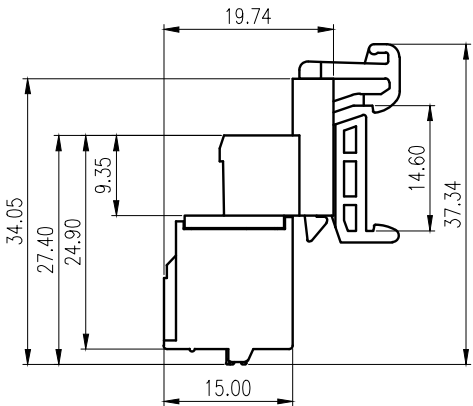
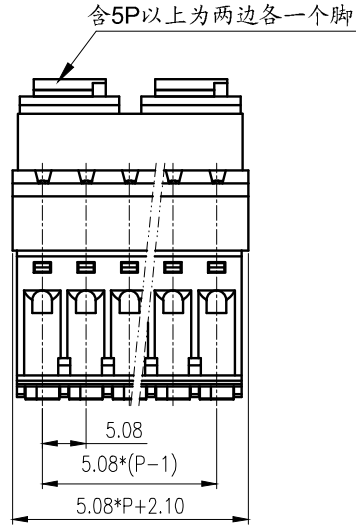
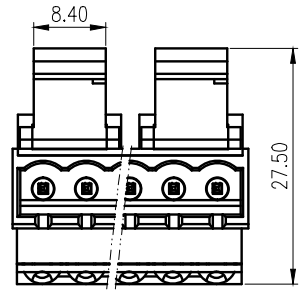
REVISION RECORD			
REV.	CONTENT	MOD.	DATE
①	初版发行		



2P      3P



4P



NOTES1:  
 UL Standard:  
 1.Voltage Rating: 300V, Current Rating: 10A  
 2.Suitable Electric Wire: 26-12AWG  
 IEC Standard:  
 1.Voltage Rating: 400V, Current Rating: 15A  
 2.Suitable Electric Wire: 24-12AWG  
 NOTES2:  
 1.Pitch : 5.08mm  
 2.Withstand Voltage : AC2500V for 1 minute  
 3.Insulation Resistance : 500MΩ / DC500V  
 4.Using Temperature Range : - 40℃ ~ + 105℃

技术要求1:  
 UL 标准:  
 1. 额定电压: 300V, 额定电流: 10A  
 2. 适用线规: 26~12AWG  
 IEC 标准:  
 1. 额定电压: 400V, 额定电流: 15A  
 2. 适用线规: 24~12AWG  
 技术要求2:  
 1. 间距: 5.08mm  
 2. 耐电压值: AC2500V/min  
 3. 绝缘阻抗: 500MΩ/DC500V  
 4. 使用条件: -40℃~+105℃

	pitch dimension			Nominal dimension					— /
	over 0	over 6	over 10	over 0	over 30	over 60	over 100	over 150	
variable range	to 6	to 10	to 24	to 30	to 60	to 100	to 150		
Tolerance	±0.1	±0.15	±0.25	±0.2	±0.3	±0.5	±0.7	±1.0	0.05/10

6	LC15-脚	1067T0Y00AV	1-2	PA66-V0		
5	LC60-5.08五金件	2083B0001AV	P	磷青铜	镀亮锡	
4	LC6-5.08-弹片	F2A0DLC658BV	p	不锈钢		
3	LC6-5.08-按钮	1020D0Y01AV	P	POM		
2	LC26U-5.08-盖板	2085A0YXXAV	1	PA66-V0		
1	LC6-5.08-本体	1020A0YXXAV	1	PA66-V0		
NO.	NAME OF PART		NO. OF PART	Q' TY	MATERIAL	NOTES
DES.	WY	DATE	2021/07/12	UNITS	MM	THIRD ANGLE PROJECTION
CHK.		DATE		SIZE	A4	SHEET 1 of 1
APP.		DATE		SCALE	1:1	DWG NO. SP-2-208501 REV: V0
上海有乐电气有限公司 Shanghai YouLe Electric C O.,LTD				TITLE	LC25U-5.08-XXP-1Y-00A	
					LC25U-5.08-成品	