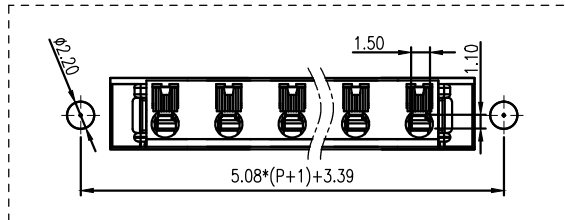


REVISION RECORD			
REV.	CONTENT	MOD.	DATE
△	初版发行		

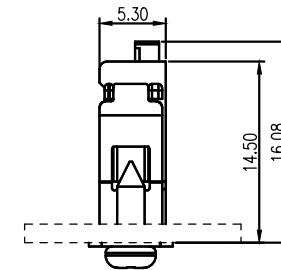
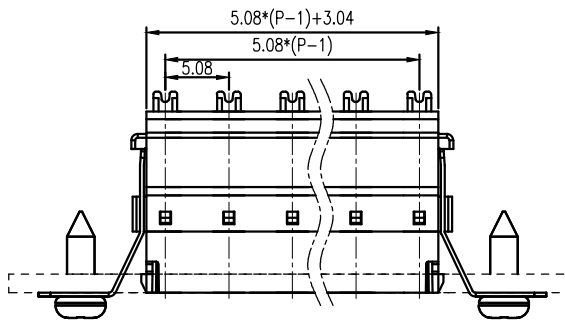
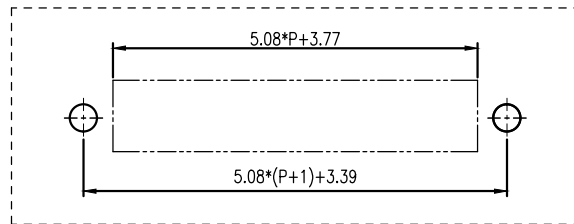


NOTES:

1. Voltage Rating: 160V, Current Rating: 6A
2. PITCH: 5.08mm
3. Insulation Withstands Voltage: AC2000V/min
4. Insulation Resistance: 2.0 MΩ or more at DC500V
5. Using Temperature Range: -40°C ~ +105°C
6. Suitable Electric Wire: 26-20AWG

技术要求:

1. 额定电压: 160V, 额定电流: 6A
2. 间距: 5.08mm
3. 耐压值: AC 2000V/min
4. 绝缘阻抗: 2.0兆欧
5. 使用条件: -40°C ~ +105°C
6. 适用线规: 26-20AWG



TOLERANCES EXCEPT AS NOTED

variable range	linear dimension				fillet	chamfer	∠ short angle sid				≡	—	□	//	⊥	
	to 6	over 6 to 30	over 30 to 120	over 120 to 480	all	to 6	to 10	to 50	to 120	all	to 5	to 30	to 120	to 120		
tolerance	±0.1	±0.2	±0.3	±0.5	±0.2	±0.5	±1	1'	30'	20'	10'	0.3	0.025	0.06	0.12	0.4

7	M2.2*6.5圆头自攻螺丝	SQZSA226509V	2	碳钢	蓝白锌
6	LC80C-2.54穿墙件	1170B0002AV	2	SUS301	
5	LC80针	1170B0001AV	2	磷青铜	镀亮锡
4	LC8-2.54弹片	1169B0002AV	P	不锈钢	
3	LC8按钮	1169D0Y01AV	P	PA66	
2	LZ8X-5.08主体	1200A0YXXAV	1	PA66	
1	LC8XM-5.08主体	1197M0YXXAV	1	PA66	
NO.	NAME OF PART	NO. OF PART	Q'TY	MATERIAL	NOTES
DES.	WYY	DATE 22/10/29	UNITS mm	THIRD ANGLE PROJECTION	
CHK.		DATE	SIZE A4		
APP.		DATE	SCALE 1:1	DWG NO.	SP-2-1172001 REV: V0
上海有乐电气有限公司 Shanghai YouLe Electric CO.,LTD				TITLE	LC80XC-5.08-XXP-1Y-00A LC80XC-5.08-成品