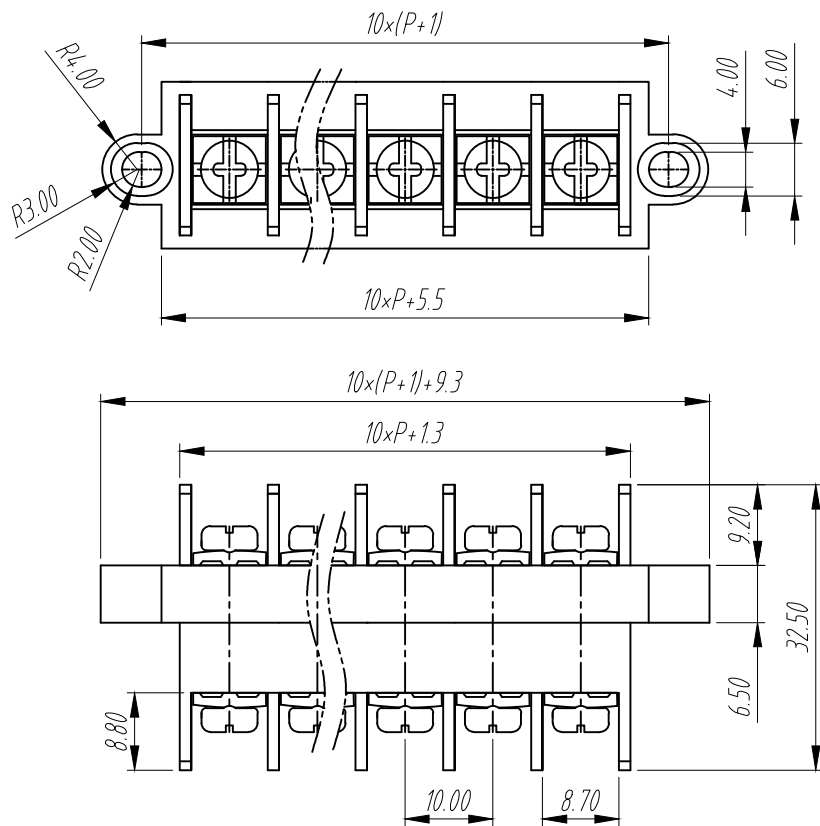
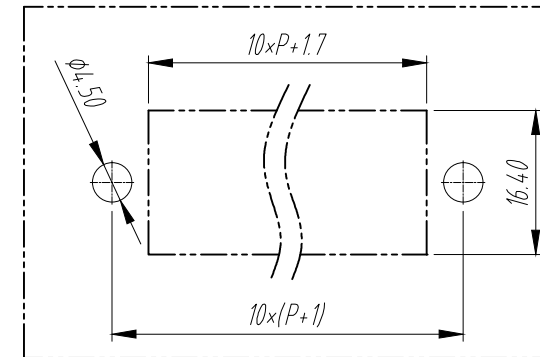
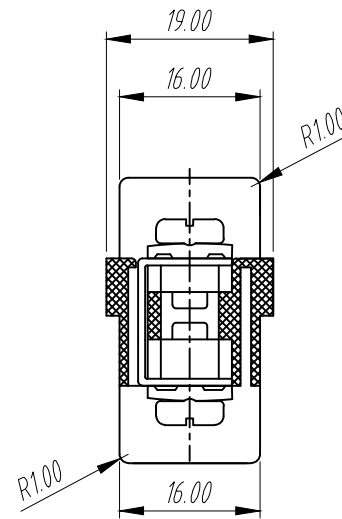


REVISION RECORD			
REV.	CONTENT	MOD.	DATE
△	初版发行	ARKINE	2010/10/24



技术要求:

1. 额定电压: 660V, 额定电流: 24A
2. 间距: 10.0mm
3. 耐电压值: AC 3000V/min
4. 绝缘阻抗1000兆欧
5. 使用条件: $-40^{\circ} - +105^{\circ}$
6. 适用线规: AWG 18-10
7. 螺丝扭力: 12-18 kgf-cm



	linear dimension				fillet	chamfer	short angle				≡	—	∥	⊥			
	over 6	over 30	over 120	over 480			over 6	over 10	over 50	over 120					over 5	over 30	over 120
variable range	to 6	to 30	to 120	to 480	all	to 6	to 10	to 50	to 120	all	to 5	to 30	to 120				
Tolerance	±0.1	±0.2	±0.3	±0.5	±0.9	±0.2	±0.5	±1	1°	30'	20'	10'	0.3	0.025	0.06	0.12	0.4

4.	M4外六角螺母	SM00A400001V	2P	碳钢	镀锌
3.	M4*8-8*8	SPFFA408053AV	2P	碳钢	三价铬钝化彩锌
2.	JSJ-2.5导电件	6JSJBDD025AV	P	黄铜	镀锌
1.	JSJ-2.5壳	6JSJE510250V	1	PC	土黄色
NO.	NAME OF PART	NO. OF PART	Q'TY	MATERIAL	NOTES
DES.	ZHF	DATE 2019/05/08	UNITS	MM	THIRD ANGLE PROJECTION
CHK.		DATE	SIZE	A4	1 of 1
APP.		DATE	SCALE	2:1	DWG NO. SP-2-1001003 REV: V0
上海有乐电气有限公司 Shanghai YouLe Electric Co., LTD					TITLE
					JSJ-2.5-XXP-1Y-00A
					JSJ-2.5