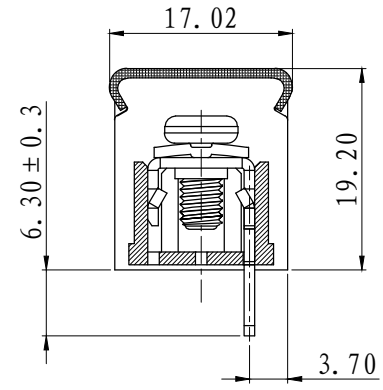
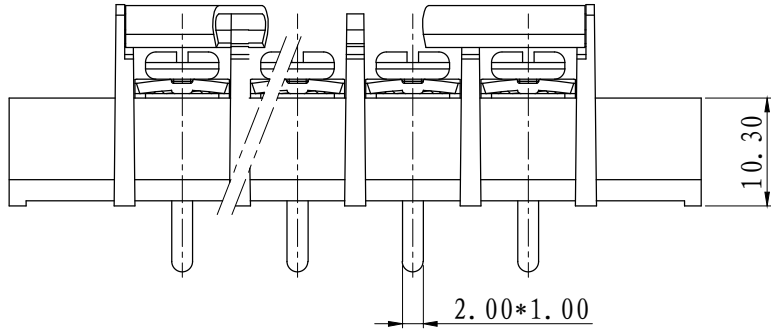
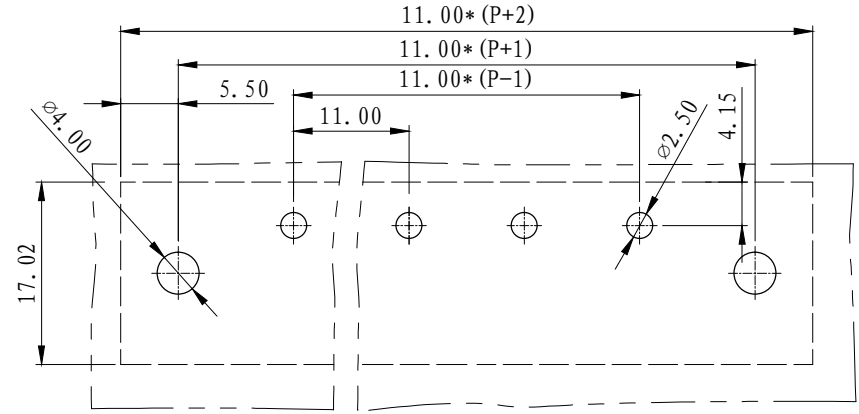
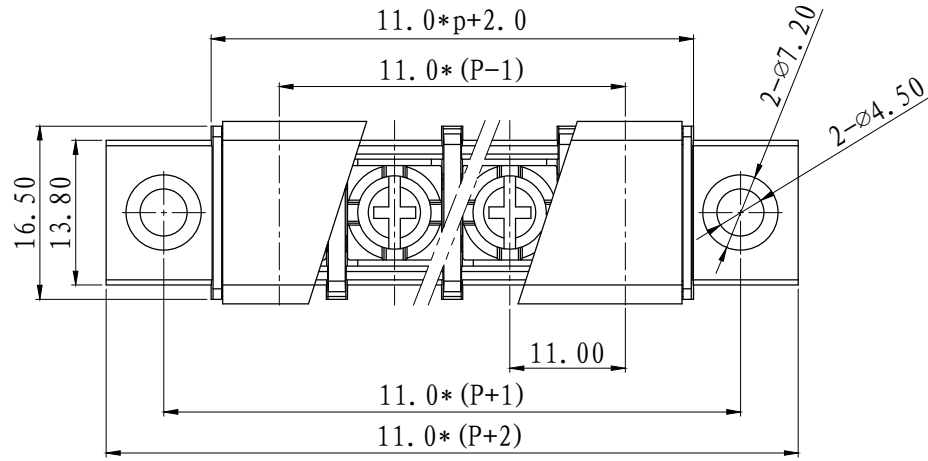
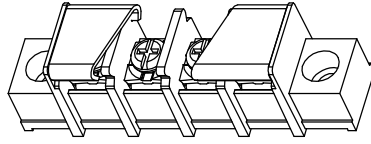


| REVISION RECORD |         |      |      |
|-----------------|---------|------|------|
| REV.            | CONTENT | MOD. | DATE |
| △               | 初版发行    |      |      |




- NOTES:
1. Voltage Rating: 300V, Current Rating: 20A
  2. PITCH: 11.0mm
  3. Insulation Withstands Voltage: AC2500V/min
  4. Using Temperature Range: -40°C - +130°C
  5. Suitable Electric Wire: AWG 22-12
  6. Screw Torque Value: 1.2 N.m

- 技术要求:
1. 额定电压: 300V, 额定电流: 20A
  2. 间距: 11.0mm
  3. 耐电压值: AC 2500V/min
  4. 使用条件: -40°C - +130°C
  5. 适用线规: AWG 22-12
  6. 螺丝扭力: 1.2 N.m



|                | pitch dimension |              |               | Nominal dimension |               |                |                 |          | —<br>/  |
|----------------|-----------------|--------------|---------------|-------------------|---------------|----------------|-----------------|----------|---------|
|                | over 0 to 6     | over 6 to 10 | over 10 to 24 | over 0 to 30      | over 30 to 60 | over 60 to 100 | over 100 to 150 | over 150 |         |
| variable range | 0 to 6          | 6 to 10      | 10 to 24      | 0 to 30           | 30 to 60      | 60 to 100      | 100 to 150      | 150      | □<br>○  |
| Tolerance      | ±0.1            | ±0.15        | ±0.25         | ±0.2              | ±0.3          | ±0.5           | ±0.7            | ±1.0     | 0.05/10 |

| 4  | LW2-11.0盖子   | 5012C70XXAV   | 1         | PC                     | 透明                                     |
|--|--------------|---------------|-----------|------------------------|--|
| 3  | LW1B-11.0焊脚  | 5008B0002AV   | P         | 黄铜                     | 镀雾锡                                    |
| 2  | M4*8-9*9螺丝   | SQFFA408063V  | P         | 碳钢                     | 三价铬钝化彩锌                                |
| 1  | LW2M-11.0-本体 | 5012M0YXXAV   | 1         | PBT                    |  |
| NO.  | NAME OF PART | NO. OF PART   | Q' TY     | MATERIAL               | NOTES                                  |
| DES.   | 陈明珠          | DATE 24/04/20 | UNITS MM  | THIRD ANGLE PROJECTION |  |
| CHK.   | 张华丰          | DATE 24/04/20 | SIZE A4   | 1 of 1                 |  |
| APP.   |              | DATE          | SCALE 1:1 | DWG NO. SP-2-5012006   | REV: V0                                |
|  <b>上海有乐电气有限公司</b><br>Shanghai YouLe Electric CO.,LTD |              |               |           | TITLE                  | LW2MB-11.0-XXP-1Y-00A<br>LW2MB-11.0-成品 |