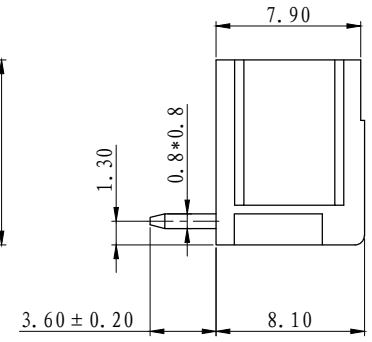
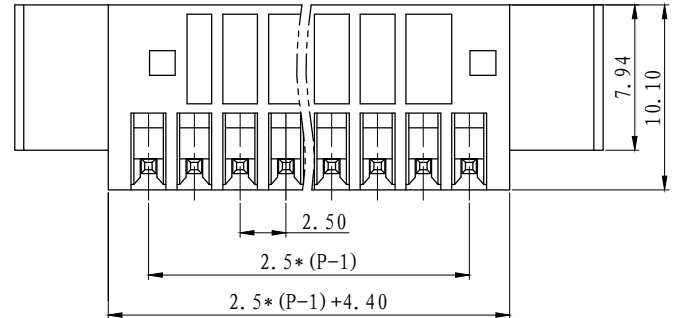
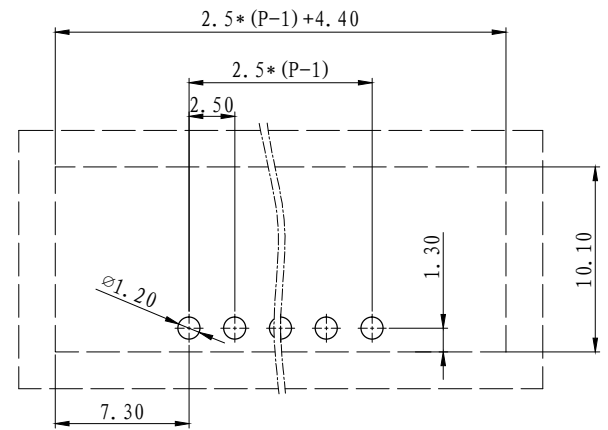
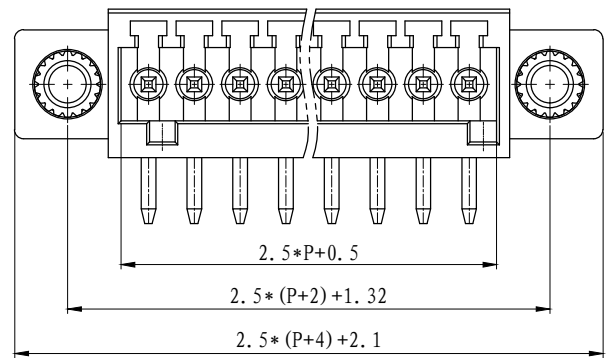
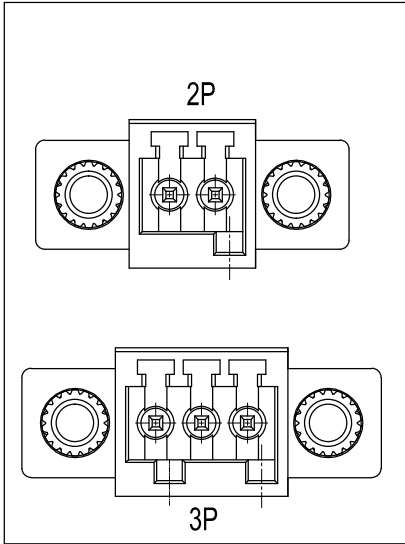


REVISION RECORD			
REV.	CONTENT	MOD.	DATE
△	初版发行		



NOTES:
Pitch : 2.5mm
Rated Voltage : 150V
Rated Current : 4 A
Withstand Voltage :
AC2000V for 1 minute
Using Temperature Range :
- 40 °C ~ + 105 °C

技术要求:
间距: 2.5mm
额定电压: 150V
额定电流: 4A
耐电压值: AC2000V/min
使用条件: -40°C ~+105°C

	pitch dimension			Nominal dimension					— ◇ ○
	over 0	over 6	over 10	over 0	over 30	over 60	over 100	over 150	
variable range	to	to	to	to	to	to	to		
	6	10	24	30	60	100	150		
Tolerance	±0.1	±0.15	±0.25	±0.2	±0.3	±0.5	±0.7	±1.0	0.05/10

3	LZ1-耳朵螺母	SM00B250000V	2	黄铜	
2	LZ1-2.5-弯针	1003B0002AV	P	黄铜	镀锡
1	LZ1M-2.5-主体	1037M0YXXAV	1	PA66	
NO.	NAME OF PART	NO. OF PART	Q'TY	MATERIAL	NOTES
DES.	陈明珠	DATE 2024-06-04	UNITS mm	THIRD ANGLE PROJECT	
CHK.		DATE	SIZE A4	1 of 1	
APP.		DATE	SCALE 1:1	DWG NO.	SP-1-1037A02 REV: V0
上海有乐电气有限公司 Shanghai YouLe Electric CO.,LTD				TITLE	LZ1RM-2.5-成品
					LZ1RM-2.5-成品