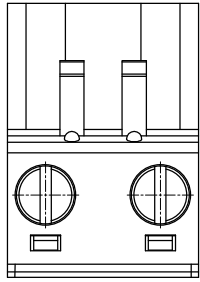
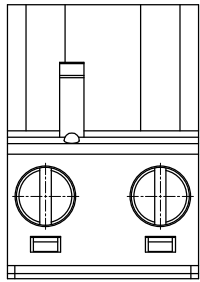


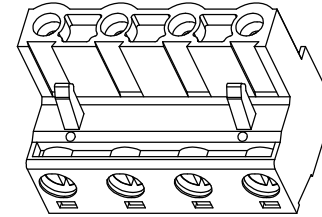
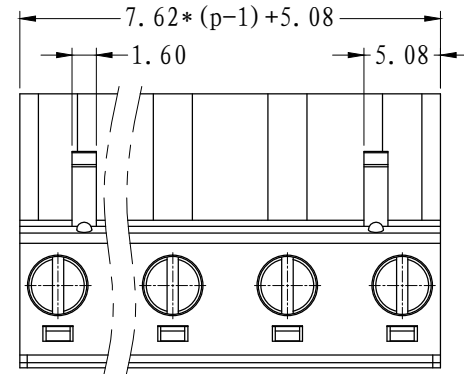
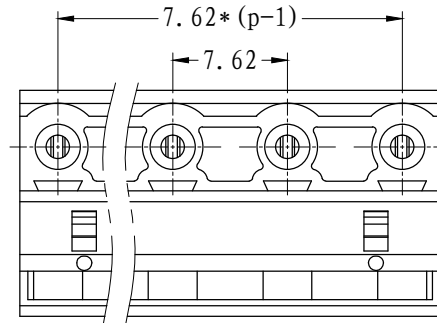
REVISION RECORD			
REV.	CONTENT	MOD.	DATE
△	初版发行		



2P-双卡扣



2P-单卡扣

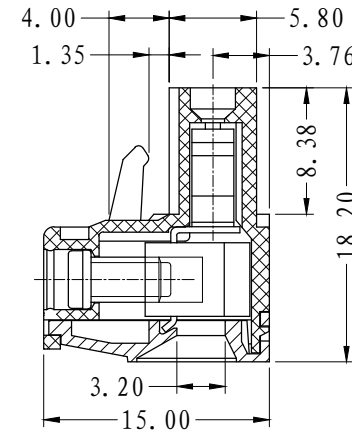


NOTES:

1. Voltage Rating: 400V, Current Rating: 15A
2. PITCH: 7.62mm
3. Insulation Withstands Voltage: AC2500V/min
4. Using Temperature Range:-40° C - +105° C
5. Suitable Electric Wire: 28-12AWG
6. Screw Torque Value: 0.5N.m


技术要求:

1. 额定电压: 400V, 额定电流: 15A
2. 间距: 7.62mm
3. 耐压值: AC 2500V/min
4. 使用条件: -40° - +105°
5. 适用线规: 28-12AWG
6. 螺丝扭力: 0.5N.m



5.	LC1-5.08-夹子	1001B0001AV	P	磷青铜	镀镍
4.	LC1-5.08-铜方块	F1A0BLC5083V	P	黄铜	镀镍
3.	LC1-5.08-螺丝	SPOYA305301V	P	碳钢	三价铬钝化彩锌
2.	LC1-7.62-盖子	1007C0YXXAV	1	PA66-V0	
1.	LC1-7.62-本体	1007A0YXXAV	1	PA66-V0	
NO.	NAME OF PART	NO. OF PART	Q' TY	MATERIAL	NOTES
DES.	CMZ	DATE	2024/08/02	UNITS	MM
CHK.		DATE		SIZE	A4
APP.		DATE		SCALE	1:1
				DWG NO.	SP-2-1007002
				REV:	V0

	pitch dimension			Nominal dimension					— ◇ ○
	over 0	over 6	over 10	over 0	over 30	over 60	over 100	over 150	
variable range	to 6	to 10	to 24	to 30	to 60	to 100	to 150		
Tolerance	±0.1	±0.15	±0.25	±0.2	±0.3	±0.5	±0.7	±1.0	0.05/10


上海有乐电气有限公司
 Shanghai YouLe Electric Co., Ltd

TITLE LC1-7.62-XXP-1Y-00A
 LC1-7.62-成品