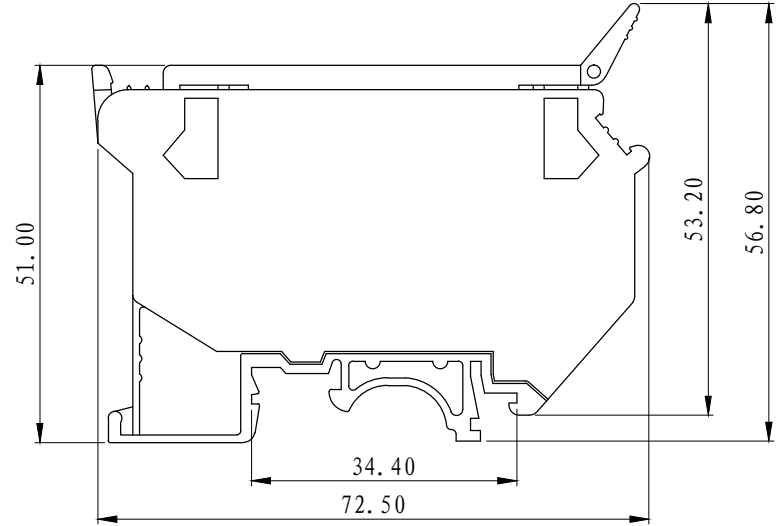
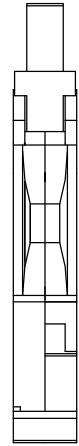
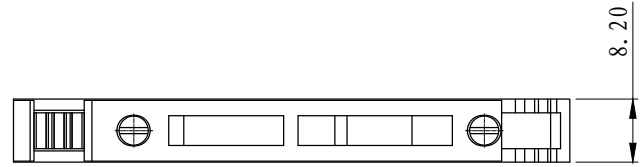
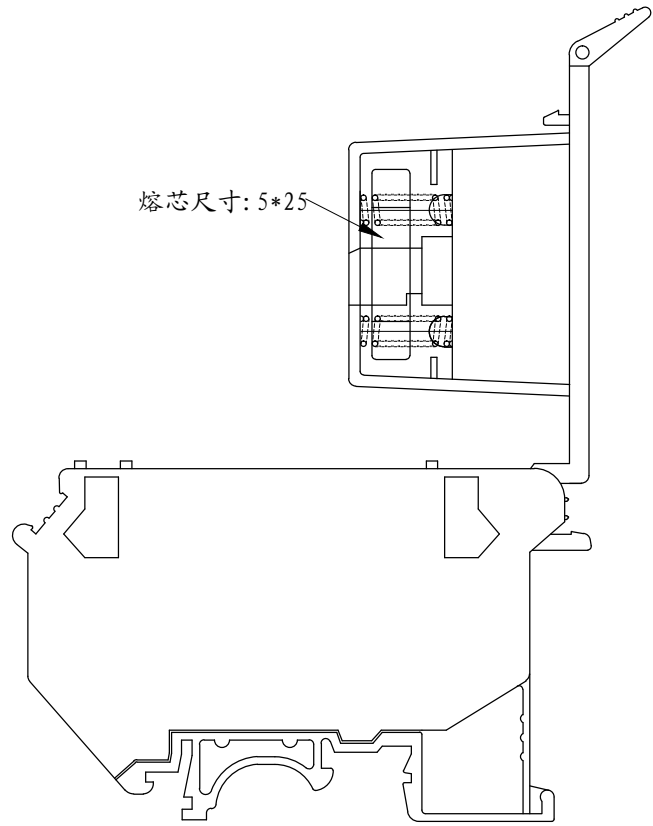



REVISION RECORD			
REV.	CONTENT	MOD.	DATE
△	初版发行		



技术要求:  
 额定电压: 600V  
 额定电流: 15A  
 螺钉类型/扭力: M3/0.5 N.m  
 绝缘材料类型: PA66  
 阻燃等级: V0  
 线径: 0.2-4mm<sup>2</sup>  
 熔芯尺寸: 5\*25

	pitch dimension			Nominal dimension					— /
	over 0	over 6	over 10	over 0	over 30	over 60	over 100	over 150	
variable range	to 6	to 10	to 24	to 30	to 60	to 100	to 150		
Tolerance	±0.1	±0.15	±0.25	±0.2	±0.3	±0.5	±0.7	±1.0	0.05/10

1	UK5-HESI-熔断型	UK5-HESI-熔断型	1	PA66	
NO.	NAME OF PART	NO. OF PART	Q'TY	MATERIAL	NOTES
DES.	CMZ	DATE	2024/08/13	UNITS	MM
CHK.		DATE		SIZE	A4
APP.		DATE		SCALE	1:1
				DWG NO.	SP-2-1169001
				REV:	V0
 <b>上海有乐电气有限公司</b> Shanghai YouLe Electric Co., Ltd.				TITLE	
				UK5-HESI-熔断型 UK5-HESI-熔断型-成品	